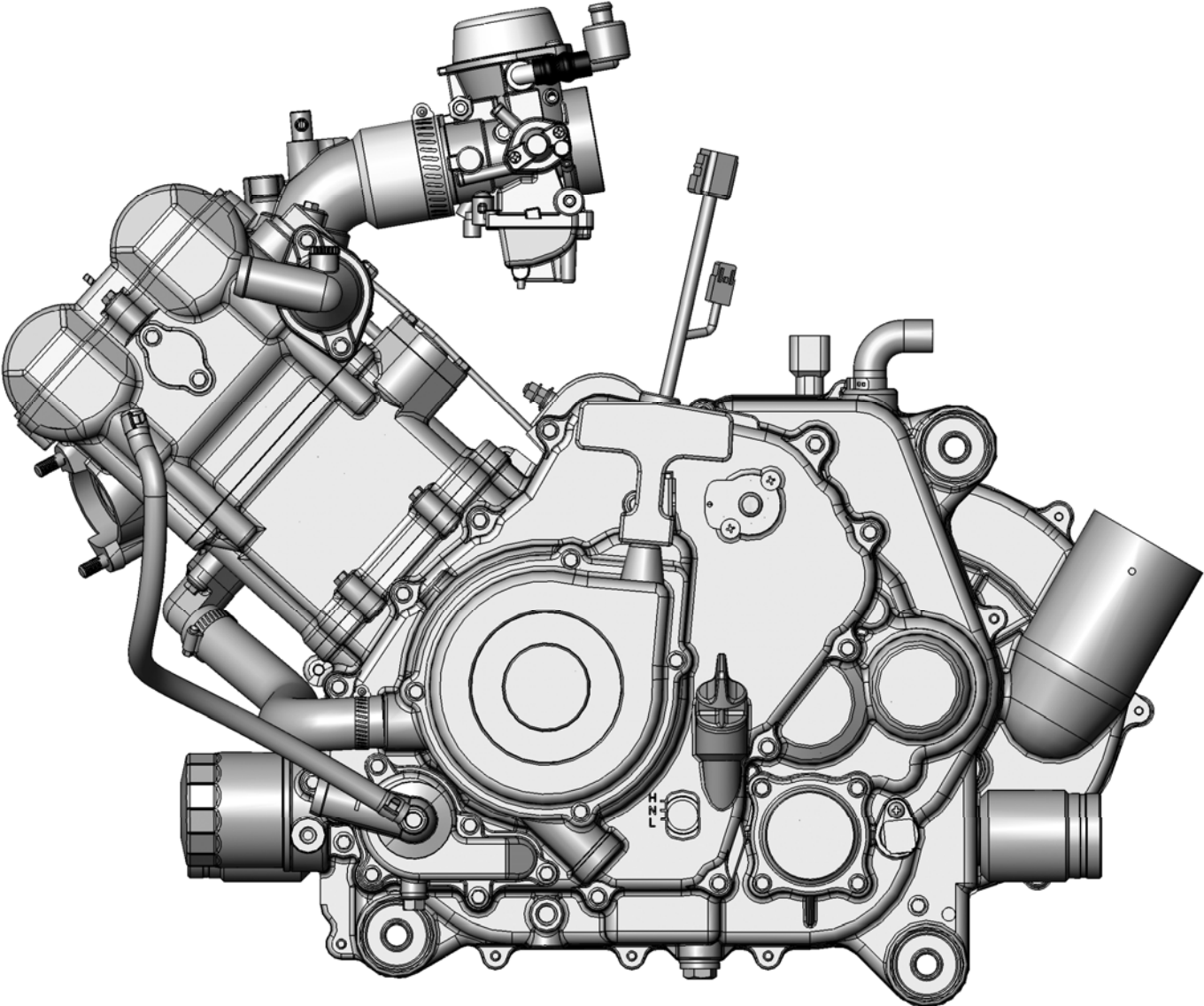


ENGINE



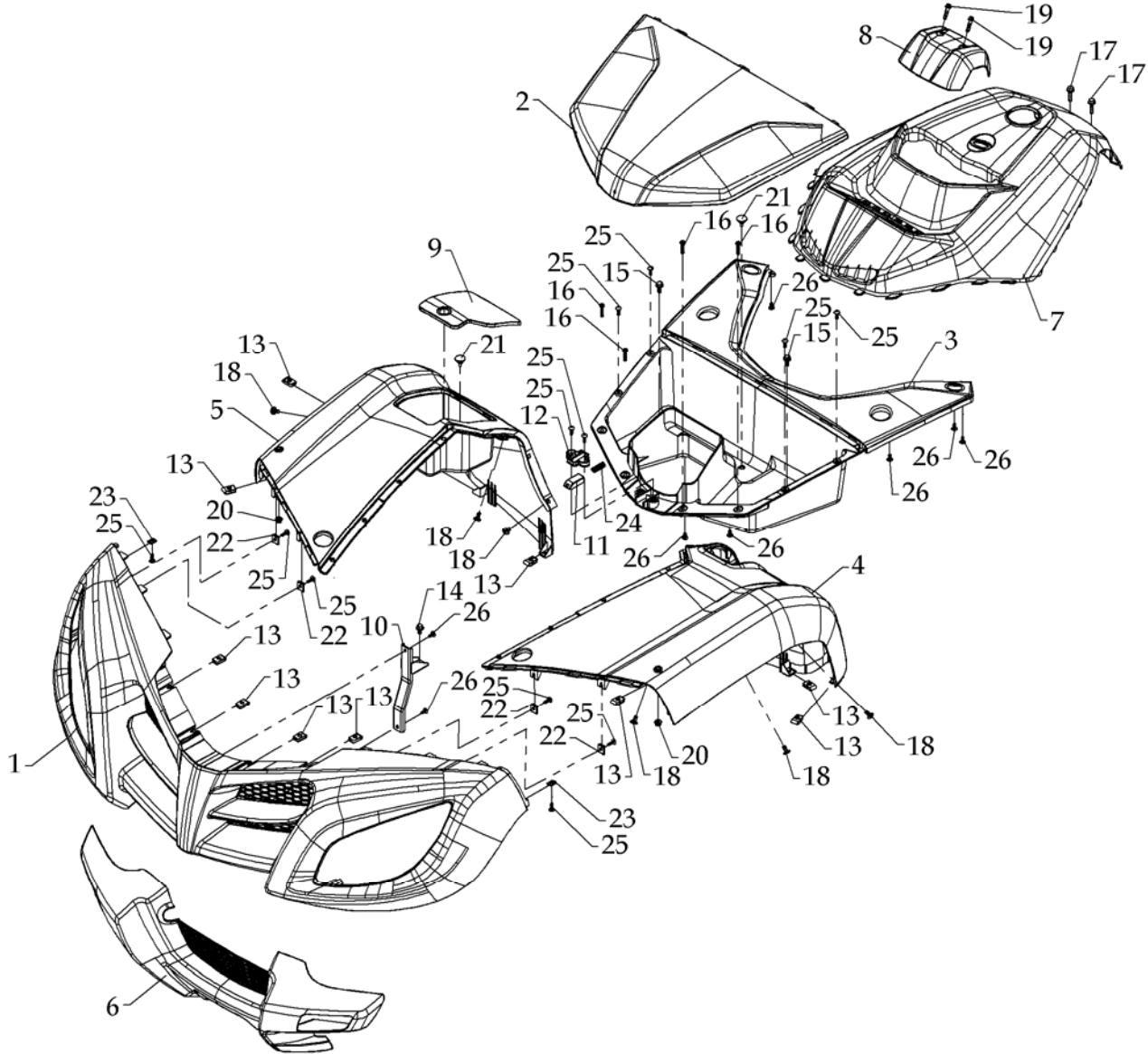
D1035-011A

## ENGINE

Model	Item	Part no	Description	Specification	Q'ty of Usage	Note
E15-700	01	E150000A01	ENGINE	E15-CAB×700	1	
E15-600	*	E150000A03	ENGINE	E15-CAB×600	1	
E15-800	*	E150000A04	ENGINE	E15-CAB×800	1	

D1035-012A

FRONT FENDER



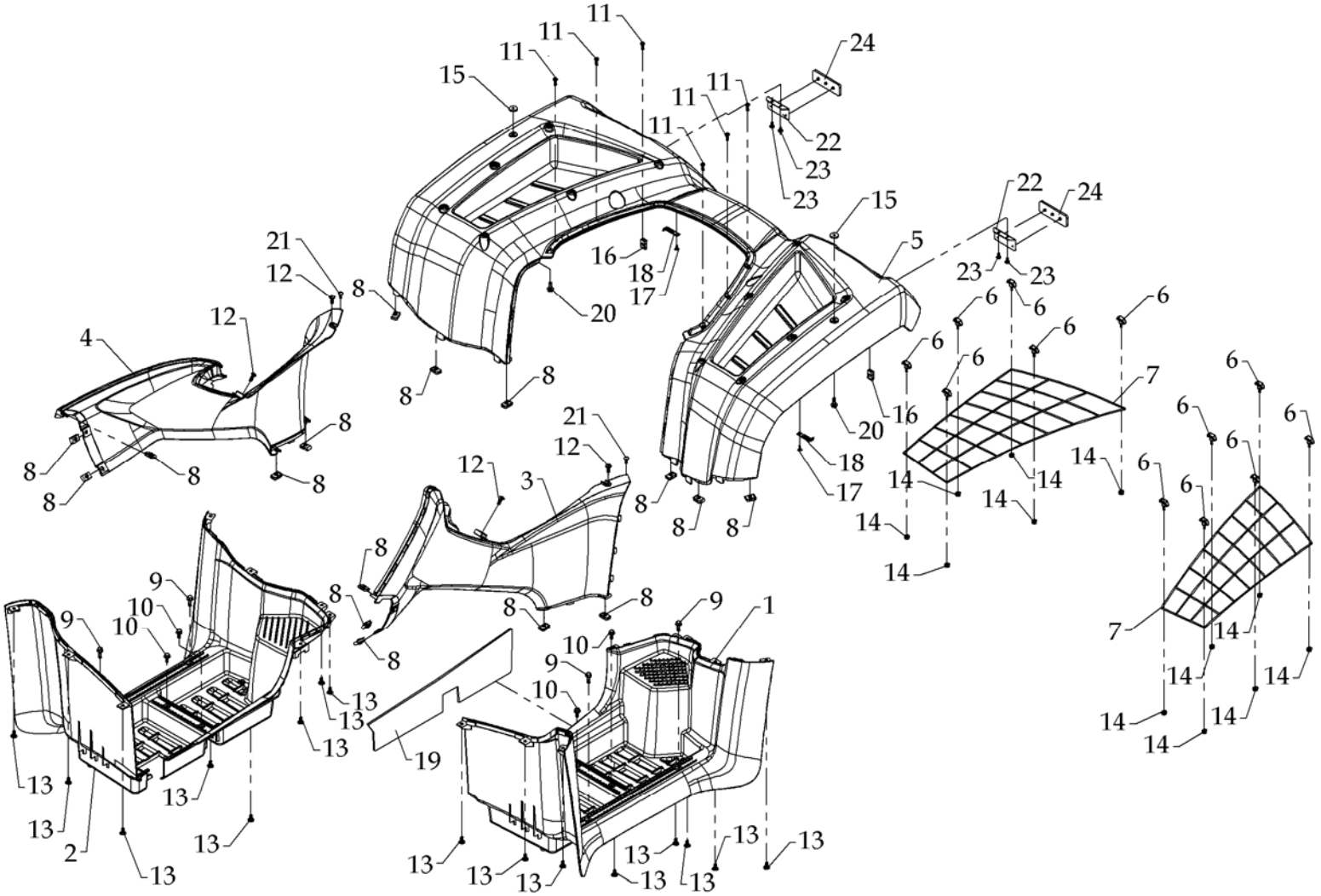
D1035-021A

## FRONT FENDER

Model	Item	Part no	Description	Specification	Q'ty of Usage	Note
	01	F210001-15	HEADLIGHT SHADE		1	
	02	F210002-98	DECORATION, FRONT FENDER		1	
	03	F210003-98	MAINTENANCE COMPARTMENT		1	
	04	F210004-98	FRONT FENDER	LEFT SIDE	1	
	05	F210005-98	FRONT FENDER	RIGHT SIDE	1	
	06	F210006-15	UNDER COVER,FRONT FENDER		1	
	07	F210007-98	DECORATION,FUEL TANK		1	
	08	F210016-98	HANDLEAR HOLDER COVER		1	
	09	F210017-98	GLOVE COMPARTMENT COVER		1	
	10	F210052-48	FRONT LIGHT COVER		1	
	11	F210138-98	HOOK		1	
	12	F210139-98	HOOK,COVER		1	
	13	F020195-43	CLIP NUT	M6×1.0	10	
	14	A050017-41	HEXAGONAL FLANGE BOLT	M6×1.0×12L	1	
	15	A050024-41	HEXAGONAL FLANGE BOLT	M6×1.0×16L	2	
	16	A050042-41	SCREW	M6×1.0×25L	4	
	17	A050077-43	HEXAGONAL FLANGE BOLT	M6×1.0×25L	2	
	18	A050091-41	MACHINE SCREW	M6×1.0×12L	6	
	19	A050121-41	HEXAGONAL FLANGE BOLT	M6×1.0×25L	2	
	20	A060053-41	HEX INSERT LOCK NUT	M6×1.0	2	
	21	A090050-00	PLUG		2	
	22	A100027-43	FIXED PLATE		4	
	23	A100038-43	FIXED PLATE		2	
	24	A110062-00	SPRING		1	
	25	A130005-43	TAPPING SCREW	5mm×16	12	
	26	A130018-43	TAPPING SCREW	5mm×12L	8	

D1035-022A

REAR FENDER



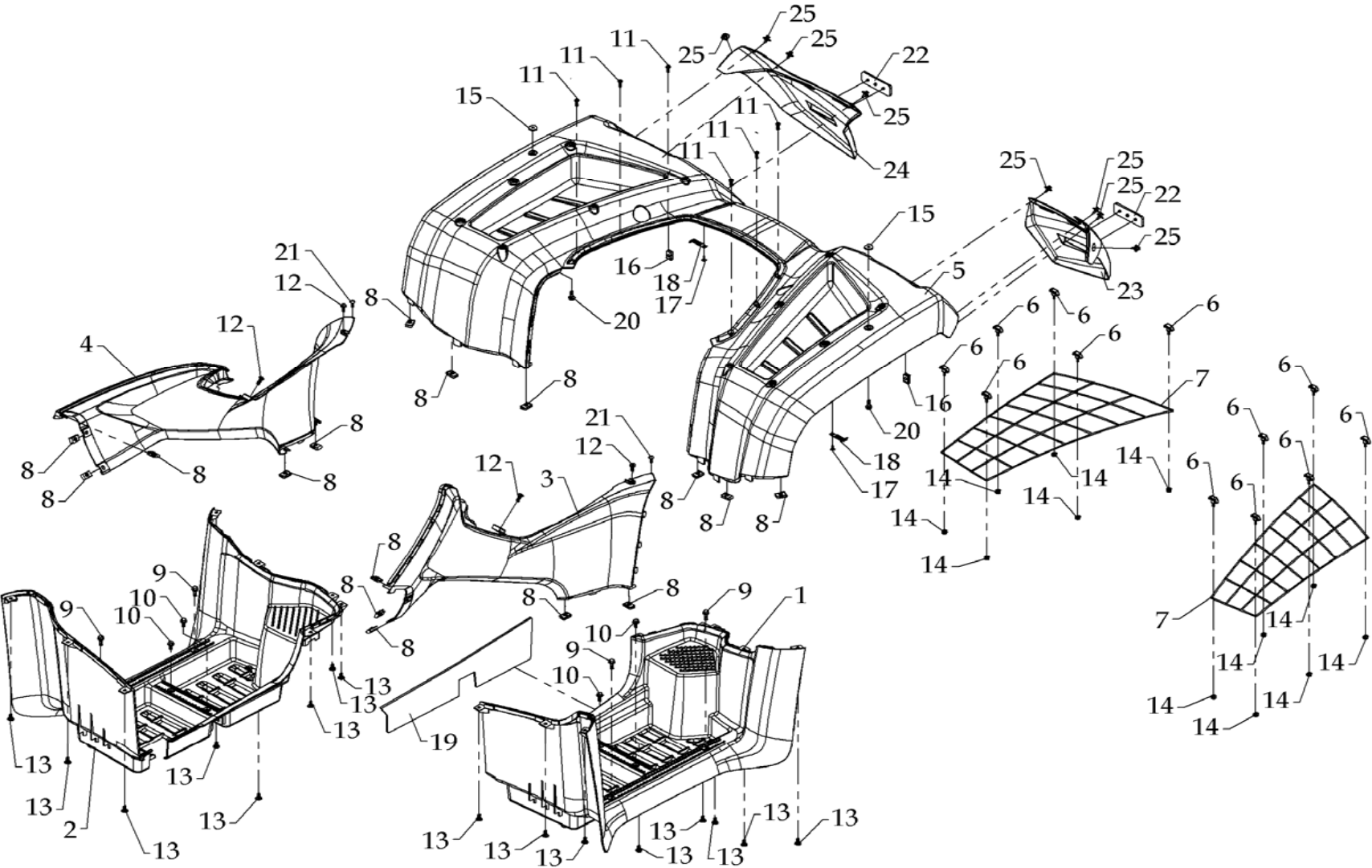
D1035-031A

## REAR FENDER

Model	Item	Part no	Description	Specification	Q'ty of Usage	Note
	01	F210008C15	LEFT FOOT BOARD		1	
	02	F210009B15	RIGHT FOOT BOARD		1	
	03	F210010-98	DECORATION,BODY	LEFT SIDE	1	
	04	F210011-98	DECORATION,BODY	RIGHT SIDE	1	
	05	F210019A98	REAR FENDER		1	
	06	F210043-00	CLIP		12	
	07	F210134-00	CARGO NETS		2	
	08	F020195-43	CLIP NUT	M6×1.0	16	
	09	A050016-41	HEXAGONAL FLANGE BOLT	M6×1.0×20L	4	
	10	A050024-41	HEXAGONAL FLANGE BOLT	M6×1.0×16L	4	
	11	A050032-41	SCREW	M6×1.0×16L	6	
	12	A050059-44	PAN HEAD BOLT	M6×1.0×16L	4	
	13	A050091-41	MACHINE SCREW	M6×1.0×12L	16	
	14	A060078-00	NET		12	
	15	A080102-00	RUBBER WASHER	Ø6×Ø19×3t	2	
	16	A100036-42	CLIP NUT	M4	2	
	17	A130024-43	TAPPING SCREW	4×12L 割尾	2	
	18	A220021-00	CLIP		2	
	19	F210121-00	HEAT INSULATION PAD		1	
	20	A050272-41	HEX WASHER FACE BOLT	M6×1.0×18L	2	
	21	A130007-43	TAPPING SCREW	4mm×16L	2	
	22	F210161-50	BRACKET, REFLECTER		2	
	23	A130018-43	TAPPING SCREW	5mm×12L	4	
	24	F020265-00	REFLECTER	RED,CE	2	

D1035-032A

REAR FENDER(JP · MTI)



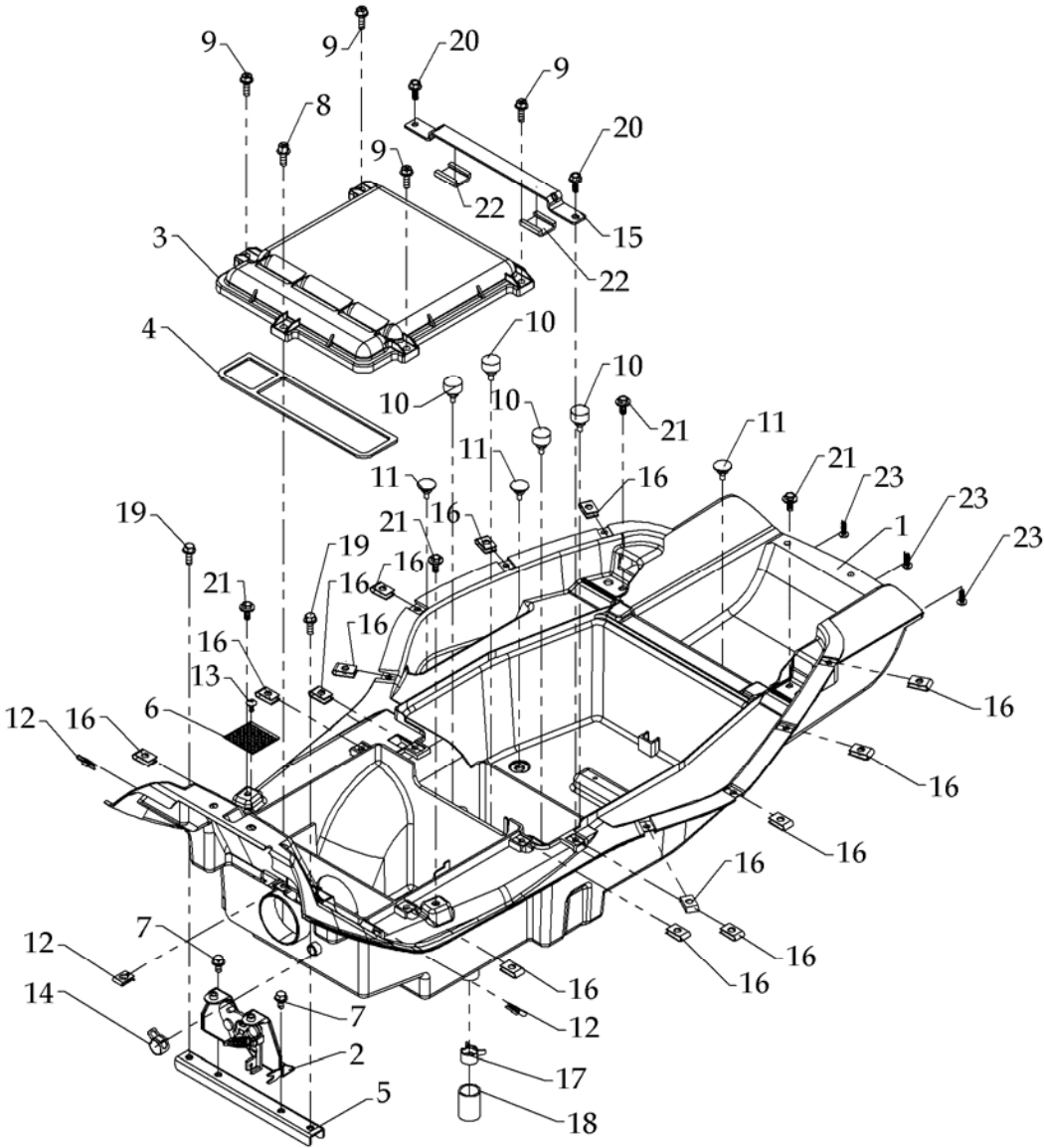
D1035-041A

## REAR FENDER(JP、MTI)

Model	Item	Part no	Description	Specification	Q'ty of Usage	Note
	01	F210008C15	LEFT FOOT BOARD		1	
	02	F210009B15	RIGHT FOOT BOARD		1	
	03	F210010-98	DECORATION,BODY	LEFT SIDE	1	
	04	F210011-98	DECORATION,BODY	RIGHT SIDE	1	
	05	F210019A98	REAR FENDER		1	
	06	F210043-00	CLIP		12	
	07	F210134-00	CARGO NETS		2	
	08	F020195-43	CLIP NUT	M6×1.0	16	
	09	A050016-41	HEXAGONAL FLANGE BOLT	M6×1.0×20L	4	
	10	A050024-41	HEXAGONAL FLANGE BOLT	M6×1.0×16L	4	
	11	A050032-41	SCREW	M6×1.0×16L	6	
	12	A050059-44	PAN HEAD BOLT	M6×1.0×16L	4	
	13	A050091-41	MACHINE SCREW	M6×1.0×12L	16	
	14	A060078-00	NET		12	
	15	A080102-00	RUBBER WASHER	Ø6×Ø19×3t	2	
	16	A100036-42	CLIP NUT	M4	2	
	17	A130024-43	TAPPING SCREW	4×12L	2	
	18	A220021-00	CLIP		2	
	19	F210121-00	HEAT INSULATION PAD		1	
	20	A050272-41	HEXAGONAL FLANGE BOLT	M6X1.0X18L	2	
	21	A130007-43	TAPPING SCREW	4mm×16L	2	
	22	F020265-00	REFLECTER	RED,CE	2	
	23	F210014-15	LEFT REAR FENDER	BLACK	1	
	24	F210015-15	REAR FENDER	BLACK	1	
	25	A050283-00	SPECIAL SCREW	Ø6	8	



# LUGGAGE COMPARTMENT



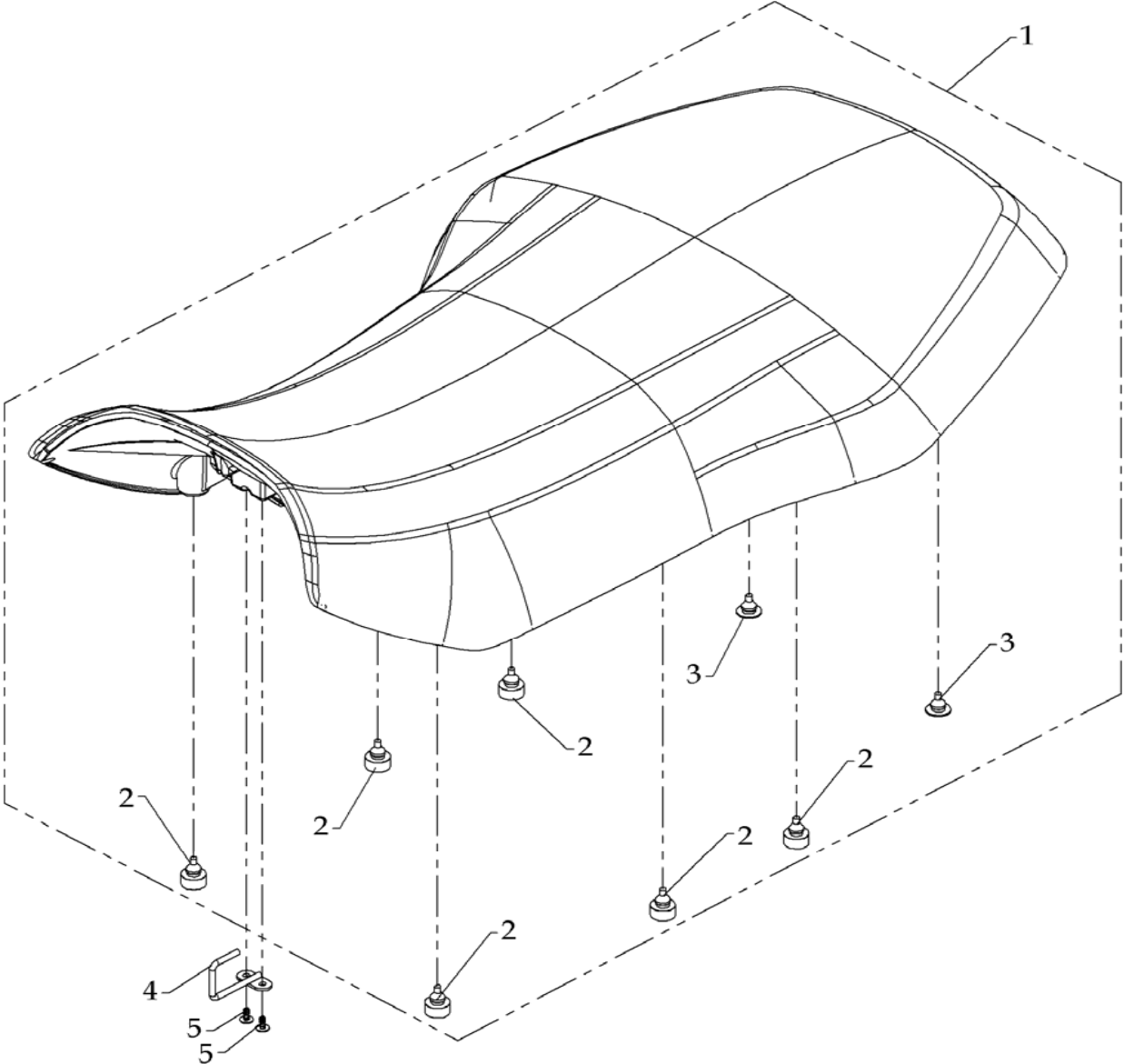
D1035-051A

## LUGGAGE COMPARTMENT

Model	Item	Part no	Description	Specification	Q'ty of Usage	Note
	01	F210013A15	LUGGAGE COMPARTMENT	BLACK	1	
	02	F210024-42	BRACKET, SEAT HOOK		1	
	03	F210025-15	AIR CLEANER COVER		1	
	04	F210026-00	GASKET		1	
	05	F210042-50	BRACKET,SEAT HOOK		1	
	06	F210133-00	SCREEN		1	
	07	A050017-41	HEXAGONAL FLANGE BOLT	M6×1.0×12L	2	
	08	A050279-41	HEXAGONAL FLANGE CROSS BOLT	M6×1.0×18L	1	
	09	A050280-41	HEXAGONAL FLANGE CROSS BOLT	M6×1.0×20L	4	
	10	A090049-00	SHOCKPROOF		4	
	11	A090050-00	PLUG		3	
	12	A100037-42	CLIP NUT		3	
	13	A130018-43	TAPPING SCREW	5mm×12L	1	
	14	A220020-41	CLAMP	Ø17×12×1.0t	1	
	15	A230292-50	BRACKET BATTERY		1	
	16	F020195-43	CLIP NUT	M6×1.0	14	
	17	A220087-00	CLAMP	Ø21.7×15×1.4t	1	
	18	F150130-00	DRAINAGE PLUG		1	
	19	A050272-41	HEXAGONAL FLANGE BOLT	M6X1.0X18L	2	
	20	A050024-41	HEXAGONAL FLANGE BOLT	M6×1.0×16L	2	
	21	A050023-41	HEX WASHER FACE BOLT	M6×1.0x20L	4	
	22	A090064-00	SHOCKPROOF		2	
	23	A130005-43	TAPPING SCREW	5mm×16	3	

D1035-052A

SEAT



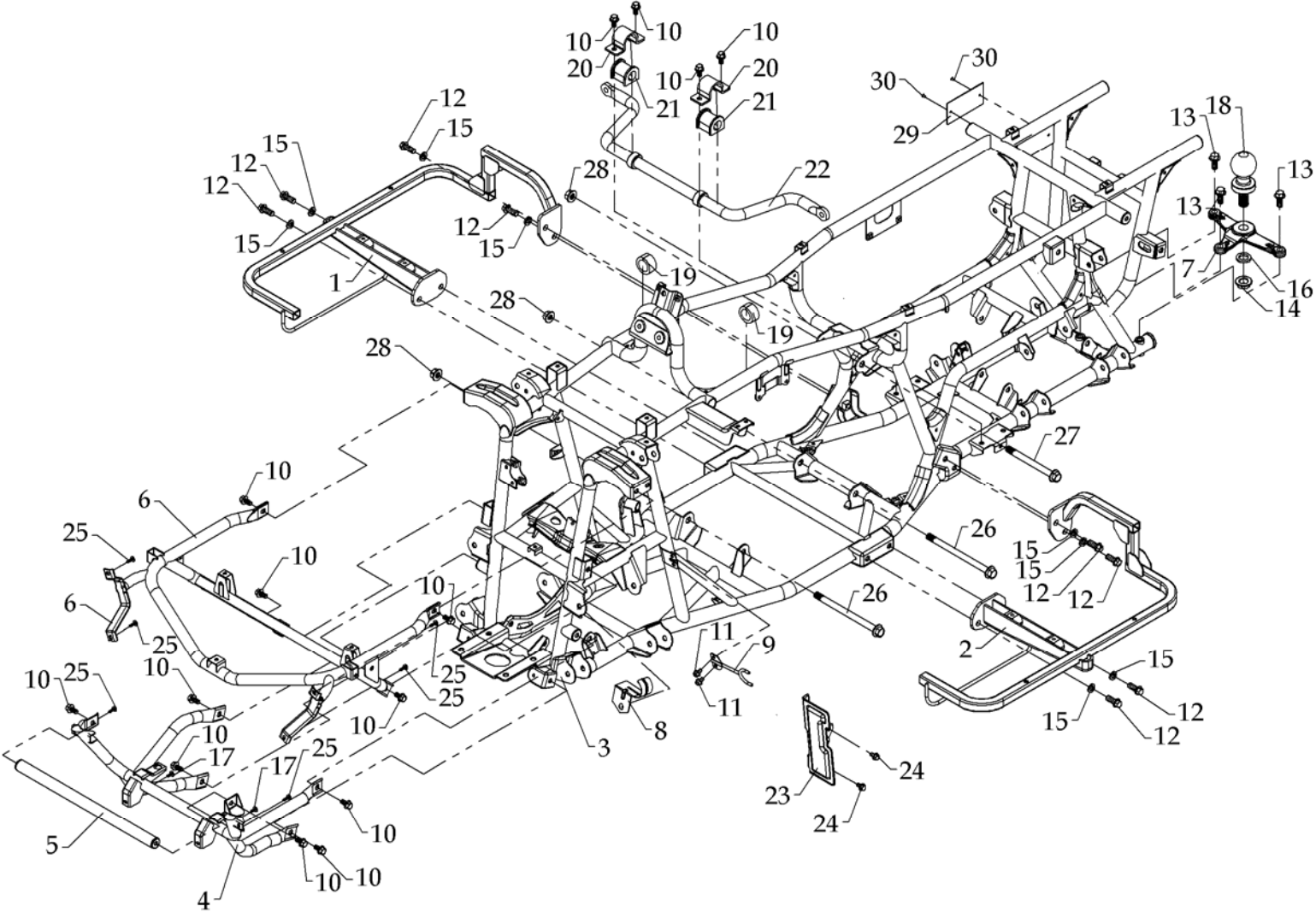
D1035-061A

# SEAT

Model	Item	Part no	Description	Specification	Q'ty of Usage	Note
	01	F210012-00	SEAT		1	
	02	A090049-00	SHOCKPROOF		6	
	03	A090050-00	PLUG		2	
	04	F210036-42	BRACKET,SEAT		1	
	05	A130018-43	TAPPING SCREW	5mm×12L	2	

D1035-062A

FRAME



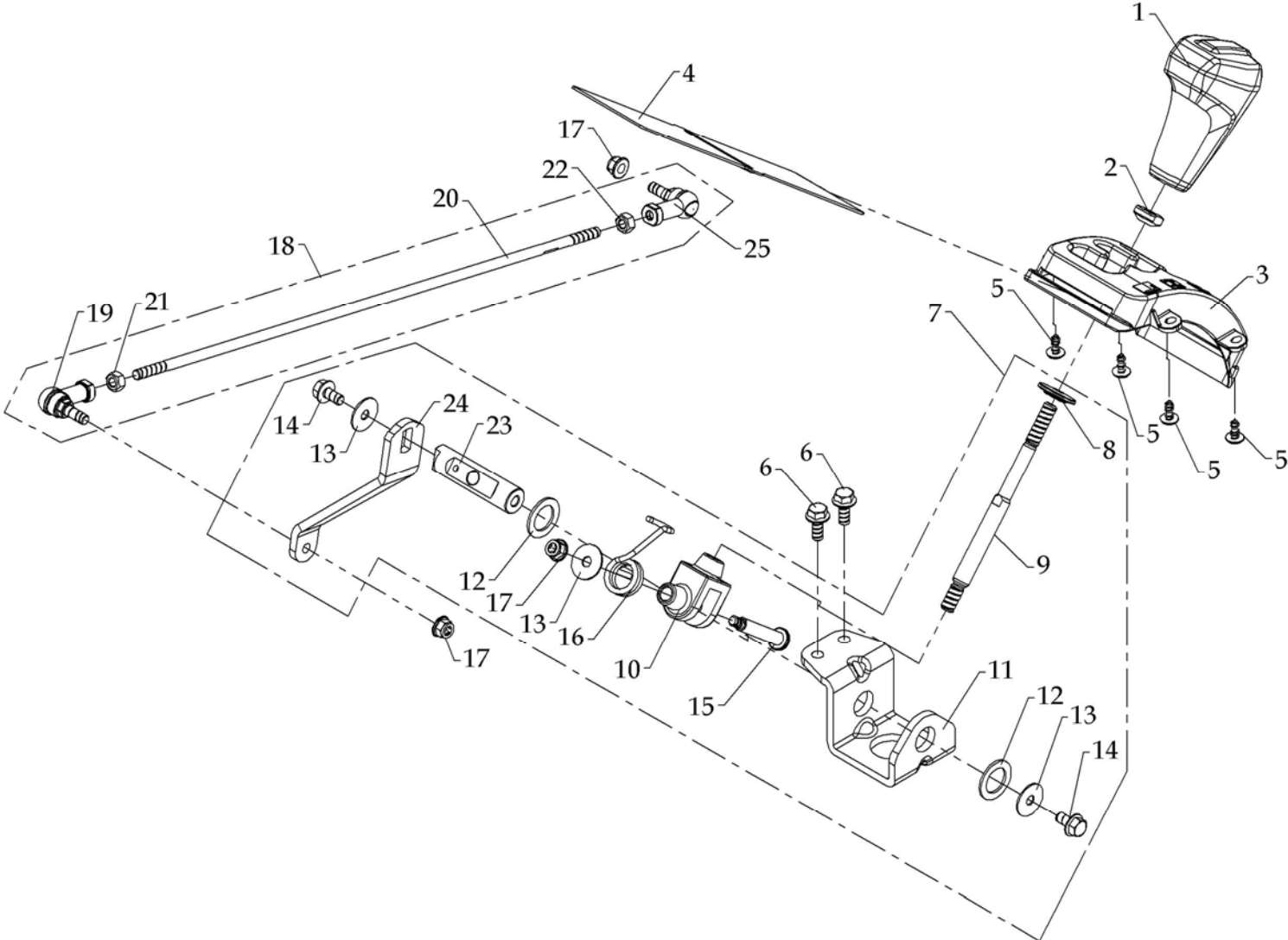
D1035-071A

## FRAME

Model	Item	Part no	Description	Specification	Q'ty of Usage	Note
	01	F210038A48	FOOTREST RH	RIGHT	1	
	02	F210039A48	FOOTREST LH	LEFT	1	
	03	F210044D48	FRAME		1	
	04	F210057A48	FRAME, FRONT GRILLE		1	
	05	F210070-57	GRIP,FRONT		1	
	06	F210072-48	FRAME,HEADLIGHT SHADE		1	
	07	F210113-48	BASE, TRAILER BALL		1	
	08	F210143-50	WATER HOSE SUSTENTACULAR		1	
	09	F210144-50	WATER HOSE SUSTENTACULAR		1	
	10	A050049-41	HEXAGONAL FLANGE BOLT	M8×1.25×16L	14	
	11	A050081-43	HEXAGONAL FLANGE BOLT	M6×1.0×10L	2	
	12	A050201-41	HEXAGONAL FLANGE BOLT	M10×1.25×25L	8	
	13	A050285-41	HEXAGONAL FLANGE BOLT	M10×1.25×25L-10T	3	
	14	A060069-41	HEX NUT	M18×1.5	1	
	15	A080009-41	SPRING WASHER	Ø10.2×3.7×2.5t	8	
	16	A080122-41	SPRING WASHER	Ø19×Ø29×4t	1	
	17	A130018-43	TAPPING SCREW	5mm×12L	2	
	18	A930021-45	TRAILER BALL		1	
	19	A220055-00	HOSE		2	
	20	F210079-50	BRACKET		2	
	21	F210080-00	RUBBER		2	
	22	F210078-50	RR STABILIZER		1	
	23	F210155-50	WINDSHIELD		1	
	24	A050017-43	HEX WASHER FACE BOLT	M6×1.0×12L	2	
	25	A130005-43	TAPPING SCREW	5mm×16	6	
	26	A050267-41	HEXAGONAL FLANGE BOLT	M12×P1.25×170L	2	
	27	A050268-41	HEXAGONAL FLANGE BOLT	M12×P1.25×128L	1	
	28	A060008-41	INSERT LOCK NUT	M12×1.25	3	
	29	A990329A00	VIN PLATE	e9*2002/24*0313*02	1	
	30	A120011-00	RIVET	Ø4×6	2	

D1035-072A

INDICATOR T/M LEVEL



D1035-081A

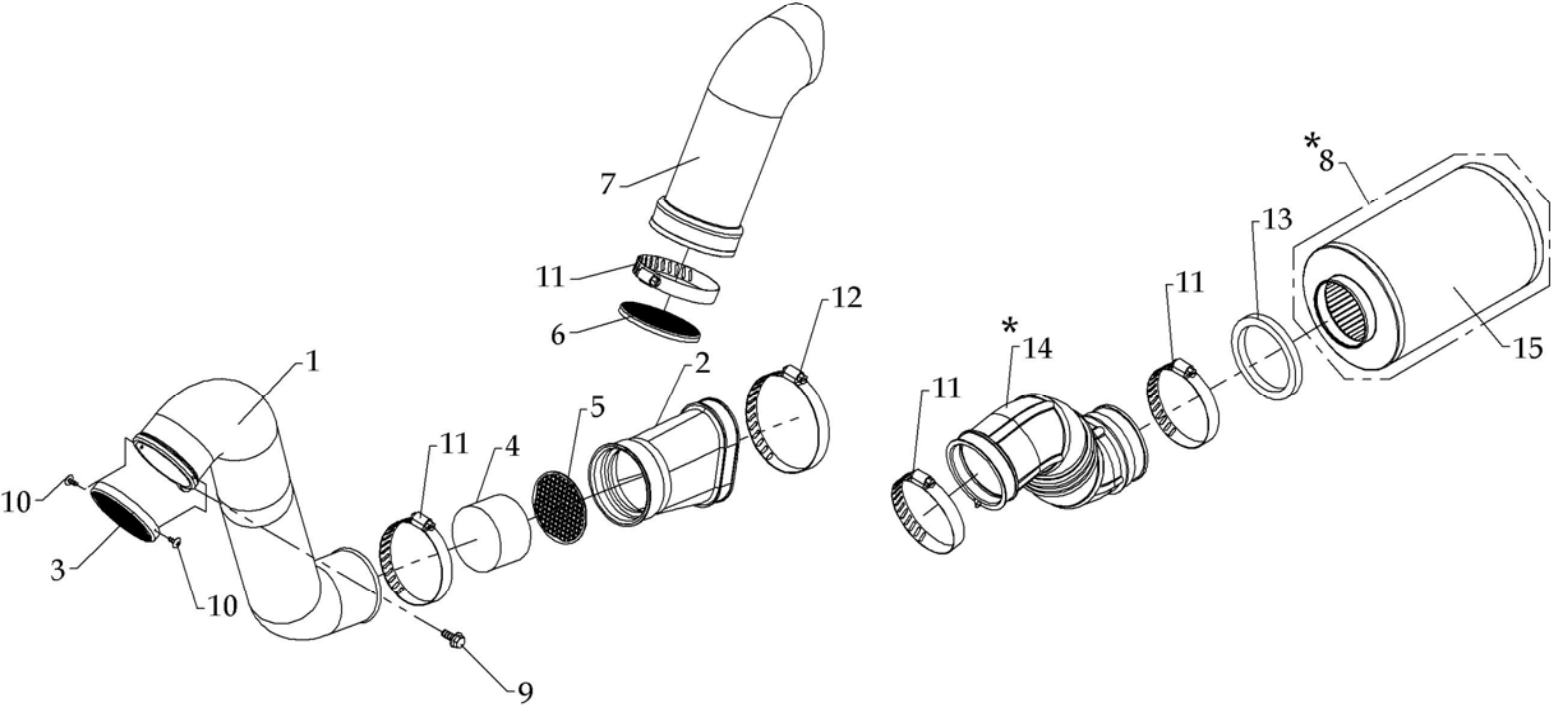
## INDICATOR T/M LEVEL

Model	Item	Part no	Description	Specification	Q'ty of Usage	Note
	01	F210073-00	KNOB, T/M LEVER		1	
	02	A060080-45	NUT	M8×1.25	1	
	03	F210033C00	INDICATOR T/M LEVEL		1	
	04	F210020-00	COVER T/M LEVEL		1	
	05	A130018-43	TAPPING SCREW	5mm×12L	4	
	06	A050024-41	HEXAGONAL FLANGE BOLT	M6×1.0×16L	2	
	07	F210071B00	INDICATOR T/M LEVEL ASSY		1	
	08	A090054-00	BUSHING		1	
	09	F210068B45	SHIFT LEVEL		1	
	10	F210069-00	INDICATOR T/M LEVEL		1	
	11	F210066-00	BRACKET , INDICATOR T/M LEVEL		1	
	12	A080121-00	SPACER	Ø16.2×Ø25×1.5t	2	
	13	A080105-41	WASHER	Ø6.2×Ø21×1.0t	3	
	14	A050017-41	HEXAGONAL FLANGE BOLT	M6×1.0×12L	2	
	15	A050262-00	HEX SOCKET BOLT		1	
	16	A110060-44	SPRING		1	
	17	A060053-41	HEX INSERT LOCK NUT	M6×1.0	3	
	18	F210023-00	ROD,LEVEL ASSY		1	
	23	F210129-00	SHAFT,LEVEL		1	
	24	F210128-50	LEVEL		1	
	25	F210029-00	TIE ROD END	LEFT	1	

D1035-082A



DUCT,CVT



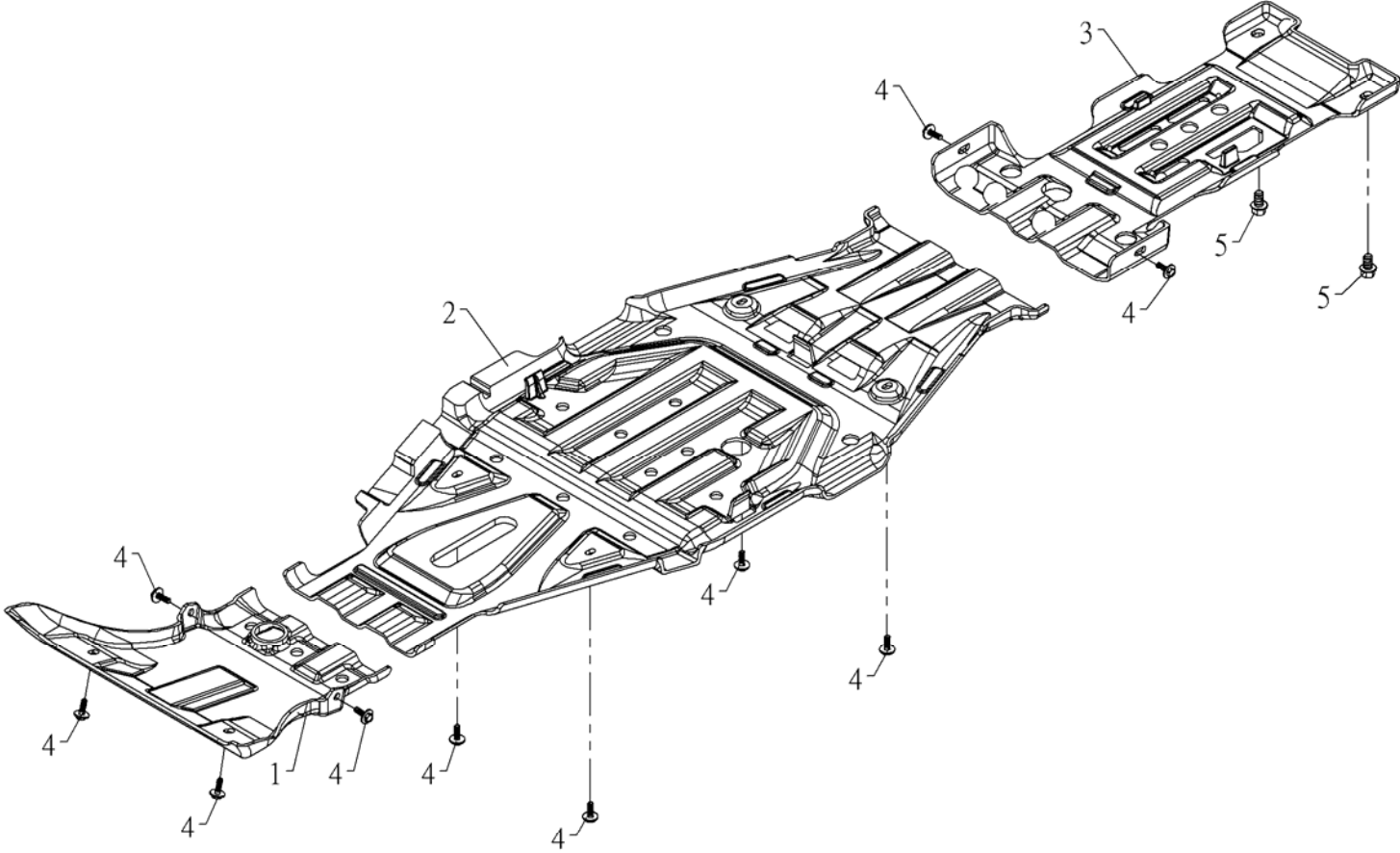
D1035-091A

**DUCT,CVT**

<b>Model</b>	<b>Item</b>	<b>Part no</b>	<b>Description</b>	<b>Specification</b>	<b>Q'ty of Usage</b>	<b>Note</b>
	01	F210085-00	DUCT,CVT BREATHER		1	
	02	F210084-00	CONNECT, BREATHER		1	
	03	F210083-00	SCREEN		1	
	04	F210082-00	MIST FILTER		1	
	05	F210081-00	SCREEN		1	
	06	F210040-00	SCREEN		1	
	07	F210037-00	DUCT,CVT OUTLET		1	
	08	F210154-00	FOAM CORE,AIR CLEANER		1	
	*	F200005-00	CORE,AIR CLEANER		1	
	09	A050024-41	HEXAGONAL FLANGE BOLT	M6×1.0×16L	1	
	10	A130003-00	TAPPING SCREW	4mm×10L	2	
	11	A220056-00	ZEBRA HOSE CLAMPS	52-76×12.7	4	
	12	A220057-00	ZEBRA HOSE CLAMPS	65-89×12.7	1	
	13	A030051-02	WASHER	Ø64×Ø80×8t,CR	1	
	14	F210028-00	INTAKE DUCT		1	
	*	F210325-00	INTAKE DUCT	EFI	1	
	15	F210378-00	FILTER		1	

D1035-092A

# PROTECTOR



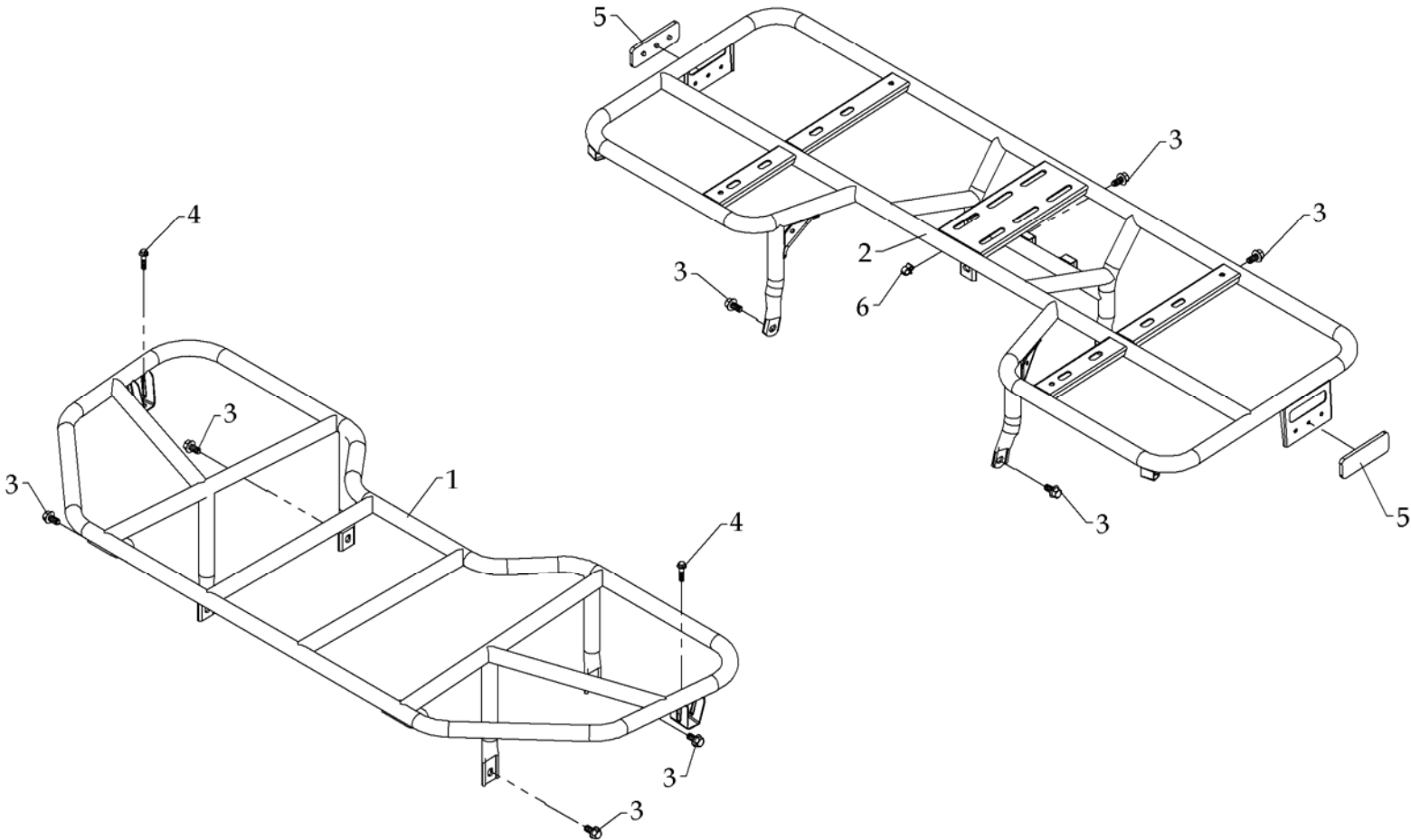
D1035-101A

## PROTECTOR

Model	Item	Part no	Description	Specification	Q'ty of Usage	Note
	01	F210109-00	PROTECTOR,FRONT		1	
	02	F210119B00	PROTECTOR,ENGING		1	
	03	F210120-00	PROTECTOR,REAR		1	
	04	A050063-41	HEX WASHER FACE BOLT	M6×1.0×20L	10	
	05	A050223-41	HEXAGONAL FLANGE BOLT	M10×1.25×18L	2	

D1035-102A

RACK



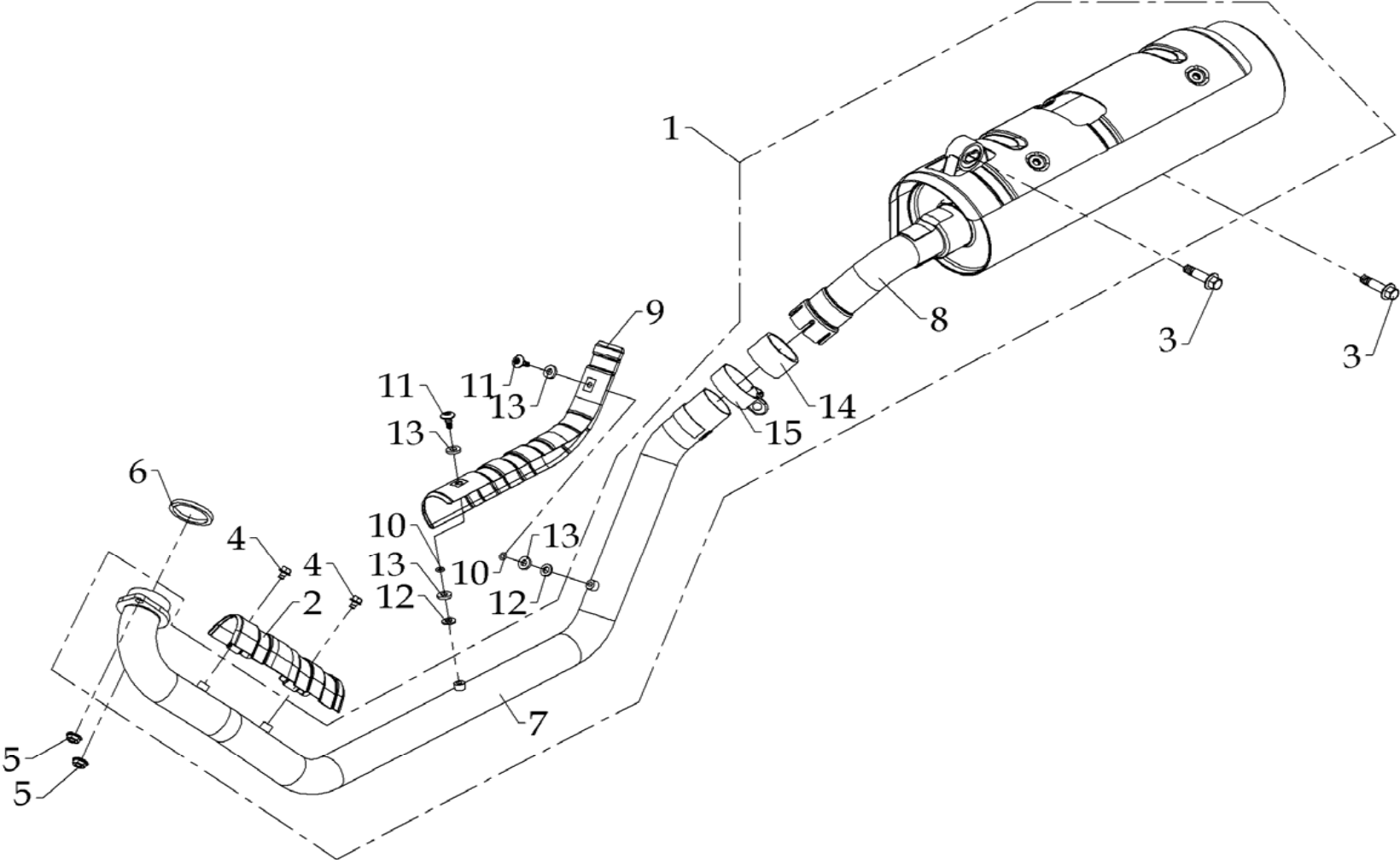
D1035-111A

# RACK

Model	Item	Part no	Description	Specification	Q'ty of Usage	Note
	01	F210045B00	RACK, FRONT		1	
	02	F210046C00	RACK, REAR		1	
	03	A050049-41	HEXAGONAL FLANGE BOLT	M8×1.25×16L	8	
	04	A050030-43	HEXAGONAL FLANGE BOLT	M6×1.0×20L	2	
	05	F020266-00	REFLECTER	YELLOW,CE	2	
	06	F020578-15	CLIP		1	

D1035-112A

MUFFLER



D1035-121A

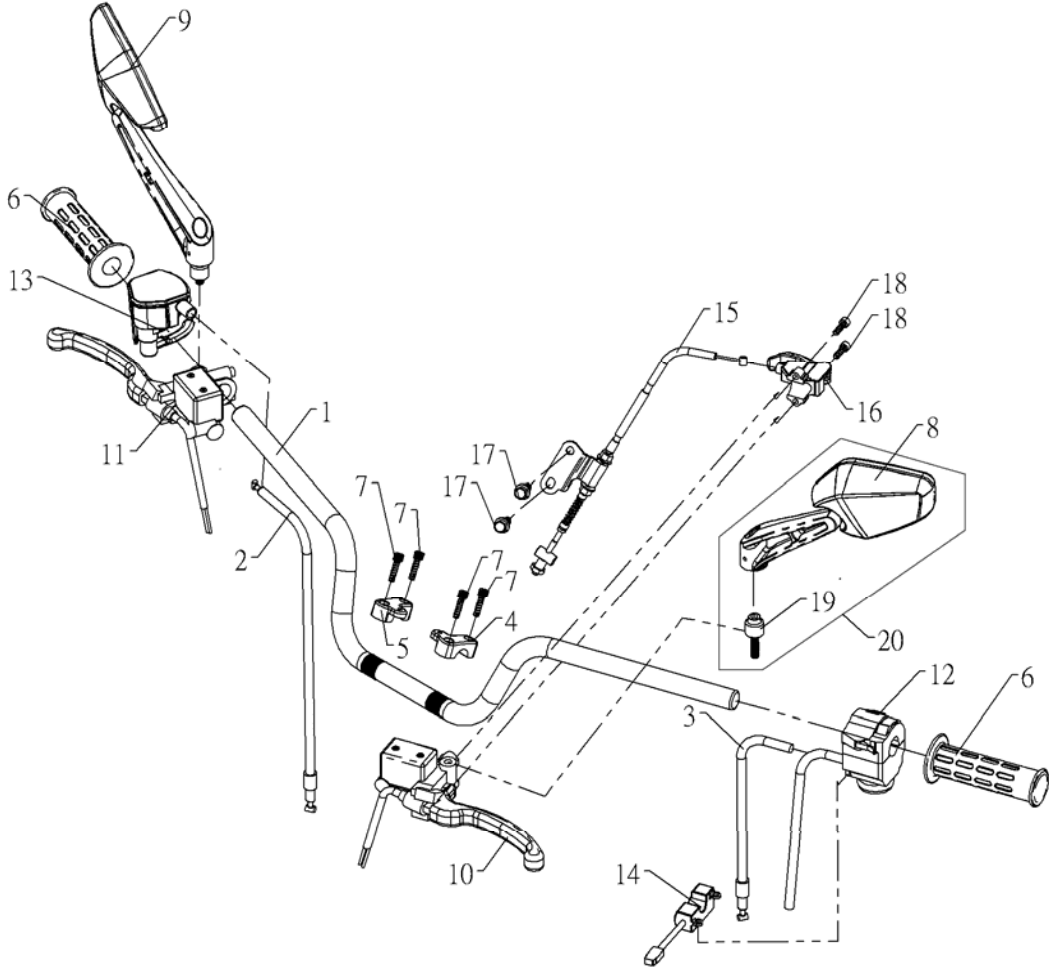
## MUFFLER

Model	Item	Part no	Description	Specification	Q'ty of Usage	Note
	01	F210050B00	MUFFLER ASSY		1	
	02	F210150-57	GUIDE PLATE, MUFFLER		1	
	03	A050001-41	HEXAGONAL FLANGE BOLT	M10×P1.25×40L	2	
	04	A050080-41	HEXAGONAL FLANGE BOLT	M6×1.0×8L	2	
	05	A060014-41	INSERT LOCK NUT	M8×1.25	2	
	06	A080127-00	GASKET	Ø41×Ø50×4.8t	1	
	07	F210159B00	EXHAUST PIPE		1	
	08	F210160A00	MUFFLER		1	
	09	F210169-57	GUIDE PLATE, MUFFLER		1	
	10	A040042-00	O RING	P6-Ø1.9×Ø5.8	2	
	11	A050233-00	MUFFLER COVER, BOLT	M6×1.0×16L	2	
	12	A080025-41	WASHER	Ø8.2×Ø15×2t	2	
	13	A080108-01	HEAT INSULATE WASHER	Ø7.8×Ø16×3t	4	
	14	F210170-00	GHAPHITE WASHER		1	
	15	F210171-00	CLAMP		1	

D1035-122A



# HANDLEBAR



D1035-131A

## HANDLEBAR

Model	Item	Part no	Description	Specification	Q'ty of Usage	Note
	01	F210174-50	HANDLEBAR		1	
	02	F210060-00	THROTTLE WIRE		1	
	03	F210061-00	CHOKE CABLE		1	
	04	F020118-00	UPPER HANDLEBAR CLAMP (L)	RIGHT	1	
	05	F020117-00	UPPER HANDLEBAR CLAMP (R)	LEFT	1	
	06	F020167A00	HANDLE GRIP		2	
	07	A050029-43	HEX SOCKET BOLT	M6×1.0×25L	4	
	08	A160016-00	REAR-VIEW MIRROR		1	
	09	A160006-00	REAR-VIEW MIRROR		1	
	10	A190139-00	LEFT LEVER ASSY		1	
	11	A190089-00	RIGHT LEVER ASSY	Ø14	1	
	12	A190136-00	LEFT LEVER ASSY		1	
	13	A190124-00	RIGHT SWITCH		1	
	14	A190135-00	LOCK TOUCH SWITCH ASSY.		1	
	15	F210181A00	PARKING CABLE ASSY'		1	
	16	A190138-00	PARKING LEVER		1	
	17	A050049-41	HEXAGONAL FLANGE BOLT	M8×1.25×16L	2	
	18	A050053-41	HEX SOCKET BOLT	M6×1.0×20L	2	
	19	F210186-00	REAR-VIEW MIRROR PARTS		1	
	20	A160018-00	REAR-VIEW MIRROR ASSY		1	

D1035-132A

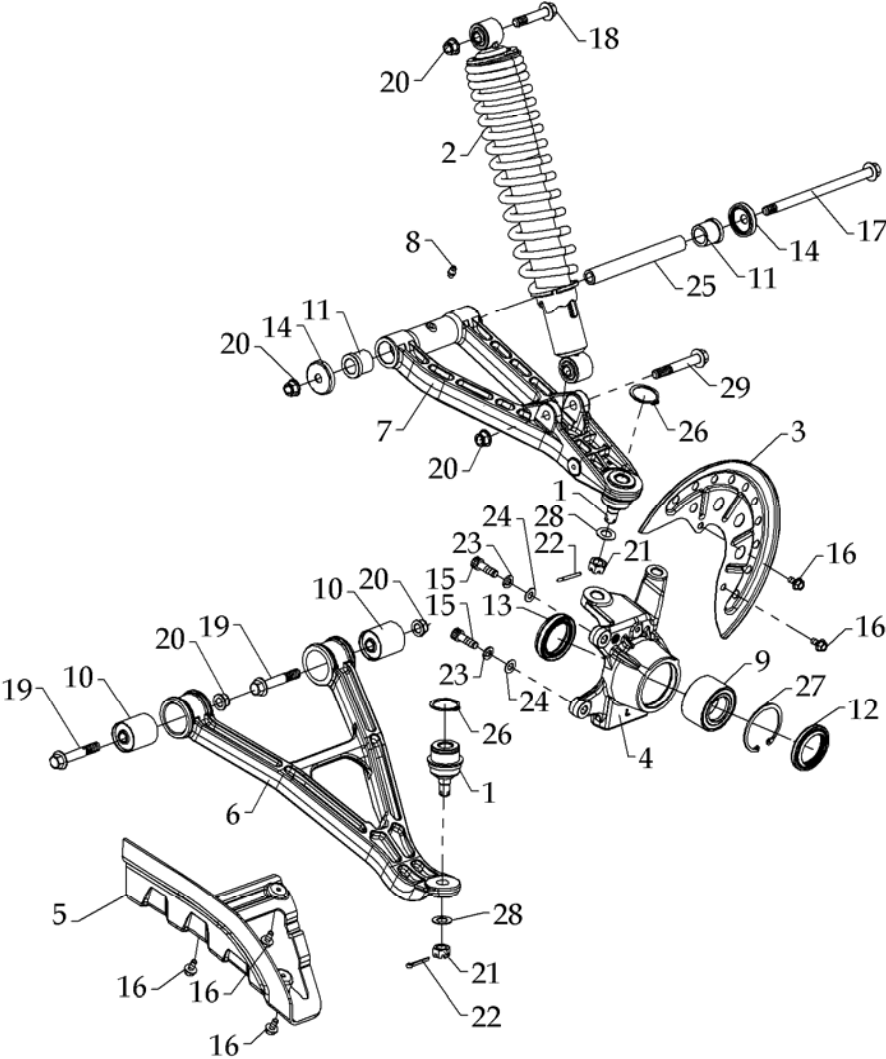


## STEERING

Model	Item	Part no	Description	Specification	Q'ty of Usage	Note
	01	F210065-48	SHAFT,STEERING		1	
	02	F210075-00	STEERING TIE-ROD ASSY.		2	
	03	F140019-00	STEERING SHAFT BRACKET		2	
	04	F140033-00	PIN	Ø25×Ø18×37.5L	1	
	05	F140142-00	SEAL COVER	Ø18.1×Ø35×Ø44×6.2t	2	
	06	F140145-42	SPACER		2	
	07	F140082-41	PLATE		1	
	08	A020007-00	BUSH BEARING	Ø28×Ø25×35L	1	
	09	A030034-00	OIL SEAL		2	
	10	A050199-41	HEXAGONAL FLANGE BOLT	M8×1.25×75L	2	
	11	A060026B42	CASTLE NUT	M14×1.5-II	1	
	12	A060083-42	CASTLE NUT	M10×1.25×10t	4	
	13	A070002-41	COTTER PIN	3.2×34.5L	1	
	14	A070011-41	COTTER PIN	2.5×34.5L	4	
	15	A080009-41	SPRING WASHER	Ø10.2×3.7×2.5t	4	
	16	A080033-41	WASHER	Ø10.4×Ø22×1.6	4	
	17	A080087-41	WASHER	Ø14.5×Ø36×2.5t	1	
	18	A080088-41	WASHER	Ø205×Ø36×2.5t	1	

D1035-142A

FRONT SUSPENSION ( L )



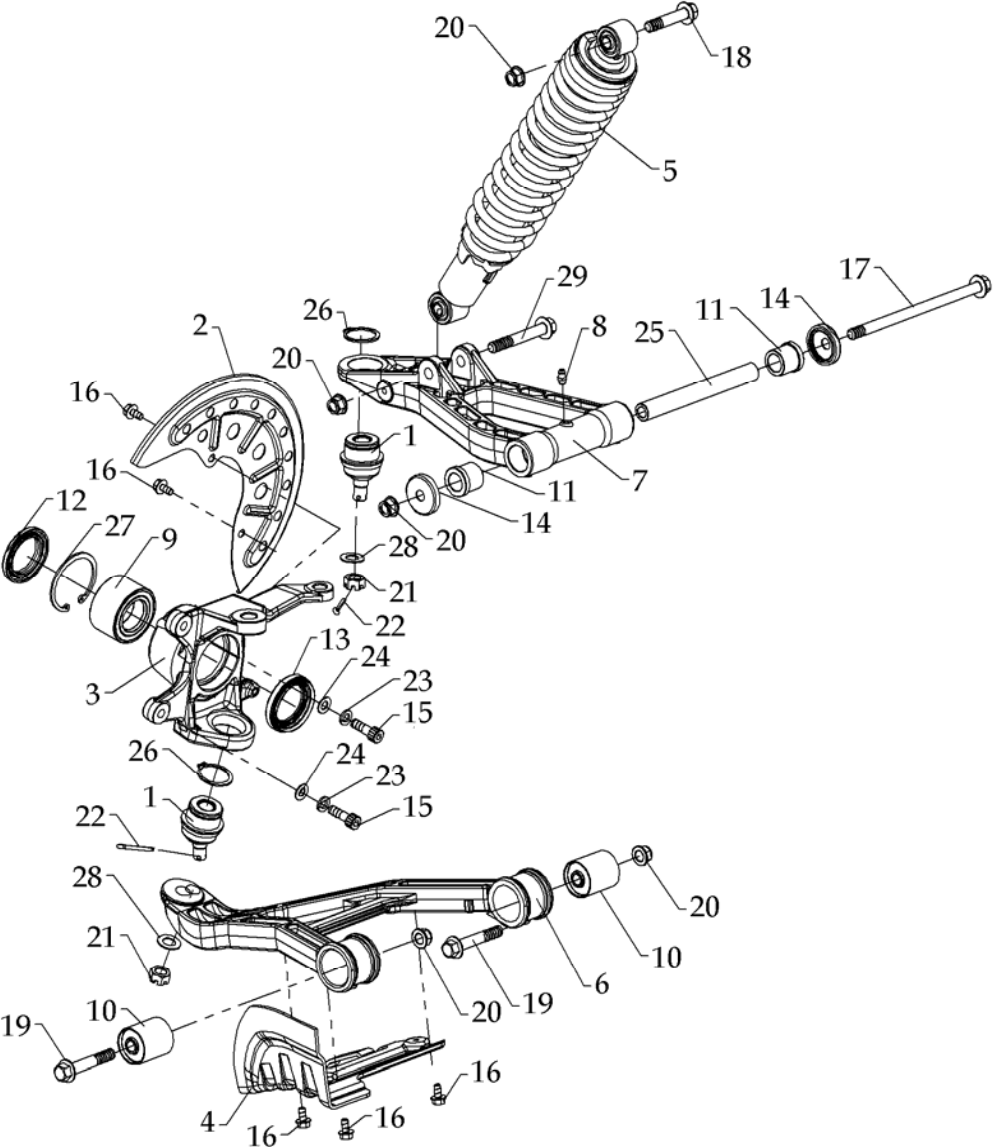
D1035-151A

## FRONT SUSPENSION ( L )

Model	Item	Part no	Description	Specification	Q'ty of Usage	Note
	01	F210074-00	BALL JOINT	M12×1.25	2	
	02	F210123-01	ABSORBER,FRONT SHOCK	410L×104S	1	
	03	F210095-50	L.COVER, BRAKE DISK		1	
	04	F210230B01	FRONT STEERING KNUCKLE (L)		1	
	05	F210115A00	PROTECTOR,DRIVER SHAFT L.H		1	
	06	F210239A01	LOWER A-ARM,FRONT		1	
	07	F210242A01	UPPER-LEFT A-ARM,FRONT		1	
	08	F020140-00	GREASE VALVE		1	
	09	A010080-04	DOUBLE ROW ANGULAR CONTACT BALL BEARING	Ø30×Ø55×32t	1	
	10	A020016-00	BUSH,ENG MTG	D35×38L-d10.2×40L	2	
	11	A020017-00	BUSH	Ø17×Ø25×23L	2	
	12	A030054-00	OIL SEAL	TC9Y 38 55 8/12	1	
	13	A030056-00	OIL SEAL	TC9Y 38 55 8/8.5	1	
	14	A030058-00	CAP		2	
	15	A050008-41	HEX SOCKET BOLT	M8×1.25×25	2	
	16	A050017-41	HEXAGONAL FLANGE BOLT	M6×1.0×12L	5	
	17	A050174-41	HEXAGONAL FLANGE BOLT	M10×1.25×170L	1	
	18	A050213-41	HEXAGONAL FLANGE BOLT	M10×1.25×50L-8T	1	
	19	A050230-41	HEXAGONAL FLANGE BOLT	M10×1.25×60L-10T	2	
	20	A060007-41	HEX INSERT LOCK NUT	M10×1.25	5	
	21	A060082-42	CASTLE NUT	M12×1.25×10t	2	
	22	A070011-41	COTTER PIN	2.5×34.5L	2	
	23	A080012-41	SPRING WASHER	Ø8.2×3.2×2t	2	
	24	A080095-41	SPACER	Ø8.2×Ø16×1t	2	
	25	A090057-00	SPACER	Ø17×Ø10×147.4L	1	
	26	A100021-43	CIRCLIP,C TYPE	Ø30×1.5t	2	
	27	A100039-00	C TYPE	Ø55	1	
	28	A080130-47	SPACER	Ø12.2×Ø22×1.0t	2	
	29	A050185-41	HEXAGONAL FLANGE BOLT	M10×1.25×70L	1	

D1035-152A

FRONT SUSPENSION ( R )



D1035-161A

## FRONT SUSPENSION ( R )

Model	Item	Part no	Description	Specification	Q'ty of Usage	Note
	01	F210074-00	BALL JOINT	M12×1.25	2	
	02	F210094-50	R.COVER, BRAKE DISK		1	
	03	F210231B01	FRONT STEERING KNUCKLE (R)		1	
	04	F210116A00	PROTECTOR,DRIVER SHAFT R.H		1	
	05	F210123-01	ABSORBER,FRONT SHOCK	410L×104S	1	
	06	F210239A01	LOWER A-ARM,FRONT		1	
	07	F210241A01	UPPER-RIGHT A-ARM,FRONT		1	
	08	F020140-00	GREASE VALVE		1	
	09	A010080-04	DOUBLE ROW ANGULAR CONTACT BALL BEARING	Ø30×Ø55×32t	1	
	10	A020016-00	BUSH,ENG MTG	D35×38L-d10.2×40L	2	
	11	A020017-00	BUSH	Ø17×Ø25×23L	2	
	12	A030054-00	OIL SEAL	TC9Y 38 55 8/12	1	
	13	A030056-00	OIL SEAL	TC9Y 38 55 8/8.5	1	
	14	A030058-00	CAP		2	
	15	A050008-41	HEX SOCKET BOLT	M8×1.25×25	2	
	16	A050017-41	HEXAGONAL FLANGE BOLT	M6×1.0×12L	5	
	17	A050174-41	HEXAGONAL FLANGE BOLT	M10×1.25×170L	1	
	18	A050213-41	HEXAGONAL FLANGE BOLT	M10×1.25×50L-8T	1	
	19	A050230-41	HEXAGONAL FLANGE BOLT	M10×1.25×60L-10T	2	
	20	A060007-41	HEX INSERT LOCK NUT	M10×1.25	5	
	21	A060082-42	CASTLE NUT	M12×1.25×10t	2	
	22	A070011-41	COTTER PIN	2.5×34.5L	2	
	23	A080012-41	SPRING WASHER	Ø8.2×3.2×2t	2	
	24	A080095-41	SPACER	Ø8.2×Ø16×1t	2	
	25	A090057-00	SPACER	Ø17×Ø10×147.4L	1	
	26	A100021-43	CIRCLIP,C TYPE	Ø30×1.5t	2	
	27	A100039-00	C TYPE	Ø55	1	
	28	A080130-47	SPACER	Ø12.2×Ø22×1.0t	2	
	29	A050185-41	HEXAGONAL FLANGE BOLT	M10×1.25×70L	1	

D1035-162A



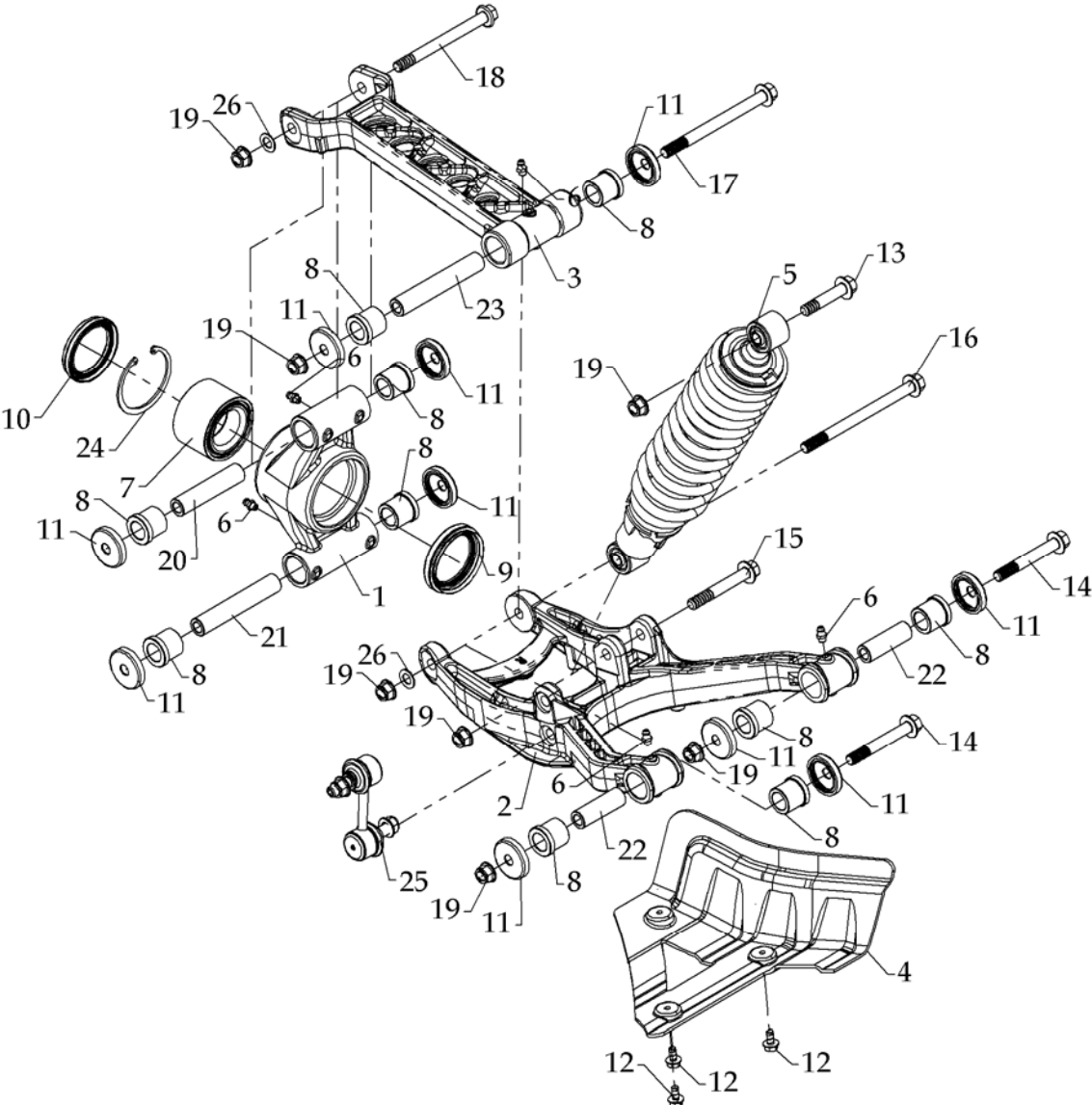


## REAR SUSPENSION ( L )

Model	Item	Part no	Description	Specification	Q'ty of Usage	Note
	01	F210238A01	LOWER-LEFT A-ARM,REAR		1	
	02	F210234-01	KNUCKLE,REAR		1	
	03	F210240-01	UPPER A-ARM,REAR		1	
	04	F210117A00	PROTECTOR,RR DRIVE SHAFT L.		1	
	05	F210122A01	ABSORBER,REAR SHOCK	384L×83S	1	
	06	A010079-04	DOUBLE ROW ANGULAR CONTACT BALL BEARING	Ø35×Ø62×40t	1	
	07	A020017-00	BUSH	Ø17×Ø25×23L	10	
	08	A030055-00	OIL SEAL	TC9Y 48 65 8/13	1	
	09	A030057-00	OIL SEAL	TC9Y 47 62 6/10.5	1	
	10	A030058-00	CAP		10	
	11	A050017-41	HEXAGONAL FLANGE BOLT	M6×1.0×12L	3	
	12	A050213-41	HEXAGONAL FLANGE BOLT	M10×1.25×50L-8T	1	
	13	A050263-41	HEXAGONAL FLANGE BOLT	M10×P1.25×74L	2	
	14	A050185-41	HEXAGONAL FLANGE BOLT	M10×1.25×70L	1	
	15	A050236-41	HEXAGONAL FLANGE BOLT	M10×P1.25×135L	1	
	16	A050277-41	HEXAGONAL FLANGE BOLT	M10×P1.25×125L	1	
	17	A050270-41	HEXAGONAL FLANGE BOLT	M10×1.25×110L	1	
	18	A060007-41	INSERT LOCK NUT	M10×1.25	7	
	19	A090055-00	SPACER	Ø17×Ø10×77.4L	1	
	20	A090056-00	SPACER	Ø17×Ø10×97.4L	1	
	21	A090058-00	SPACER	Ø17×Ø10×52.4L	2	
	22	A090059-00	SPACER	Ø17×Ø10×102.4L	1	
	23	A100030-00	C TYPE	Ø62	1	
	24	F020140-00	GREASE VALVE		5	
	25	F210108-00	JOINT RR STABILIZER		1	
	26	A080114-00	SPACER	Ø10.2×Ø18×1.0t	2	

D1035-172A

REAR SUSPENSION ( R )



D1035-181A

## REAR SUSPENSION ( R )

Model	Item	Part no	Description	Specification	Q'ty of Usage	Note
	01	F210234-01	KNUCKLE,REAR		1	
	02	F210237A01	LOWER-RIGHT A-ARM,REAR		1	
	03	F210240-01	UPPER A-ARM,REAR		1	
	04	F210118A00	PROTECTOR,RR DRIVE SHAFT R.H		1	
	05	F210122A01	ABSORBER,REAR SHOCK	384L×83S	1	
	06	F020140-00	GREASE VALVE		5	
	07	A010079-04	DOUBLE ROW ANGULAR CONTACT BALL BEARING	Ø35×Ø62×40t	1	
	08	A020017-00	BUSH	Ø17×Ø25×23L	10	
	09	A030055-00	OIL SEAL	TC9Y 48 65 8/13	1	
	10	A030057-00	OIL SEAL	TC9Y 47 62 6/10.5	1	
	11	A030058-00	CAP		10	
	12	A050017-41	HEXAGONAL FLANGE BOLT	M6×1.0×12L	3	
	13	A050213-41	HEXAGONAL FLANGE BOLT	M10×1.25×50L-8T	1	
	14	A050263-41	HEXAGONAL FLANGE BOLT	M10×P1.25×74L	2	
	15	A050185-41	HEXAGONAL FLANGE BOLT	M10×1.25×70L	1	
	16	A050236-41	HEXAGONAL FLANGE BOLT	M10×P1.25×135L	1	
	17	A050277-41	HEXAGONAL FLANGE BOLT	M10×P1.25×125L	1	
	18	A050270-41	HEXAGONAL FLANGE BOLT	M10×1.25×110L	1	
	19	A060007-41	HEX INSERT LOCK NUT	M10×1.25	7	
	20	A090055-00	SPACER	Ø17×Ø10×77.4L	1	
	21	A090056-00	SPACER	Ø17×Ø10×97.4L	1	
	22	A090058-00	SPACER	Ø17×Ø10×52.4L	2	
	23	A090059-00	SPACER	Ø17×Ø10×102.4L	1	
	24	A100030-00	C TYPE	Ø62	1	
	25	F210108-00	JOINT RR STABILIZER		1	
	26	A080114-00	SPACER	Ø10.2×Ø18×1.0t	2	

D1035-182A

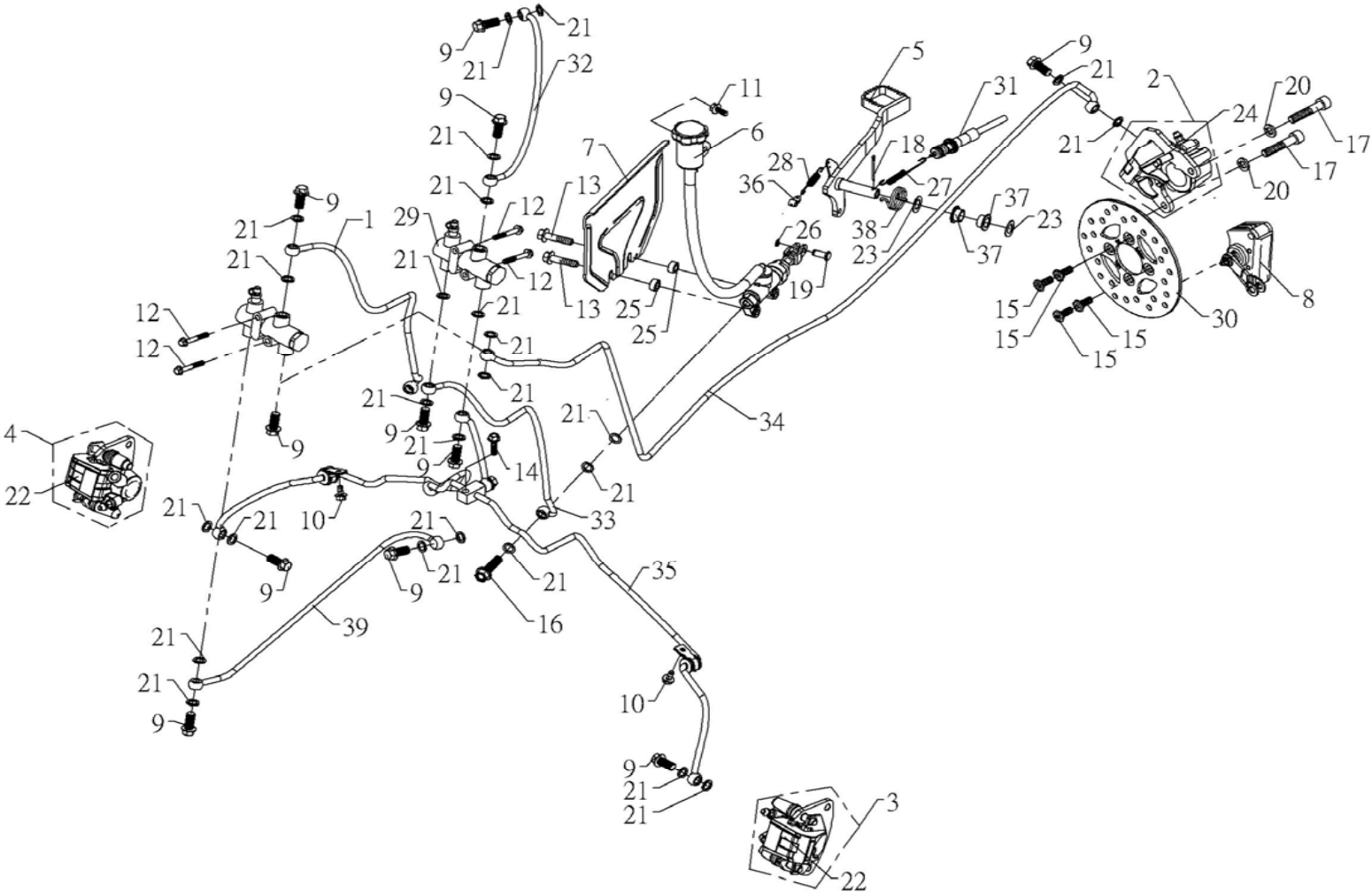


**SHAFT,REAR PROPELLER**

<b>Model</b>	<b>Item</b>	<b>Part no</b>	<b>Description</b>	<b>Specification</b>	<b>Q'ty of Usage</b>	<b>Note</b>
	01	F210326-00	SHAFT,FRONT PROPELLER	L=526-560	2	
	02	F210327-00	SHAFT,REAR PROPELLER	L=530-564	2	
	03	F210130-00	GEAR BOX ASSY,REAR DRIVER		1	
	04	F210131-00	D/F GEAR BOX ASSY		1	
	05	A060007-41	INSERT LOCK NUT	M10×1.25	4	
	06	A050068A41	HEXAGONAL FLANGE BOLT	M10×1.25×115L	1	
	07	A050201-41	HEXAGONAL FLANGE BOLT	M10×1.25×25L	2	
	08	A050237-41	HEXAGONAL FLANGE BOLT	M10×1.25×90	3	
	09	A110066-00	SPRING COMPRESSION	52L×Ø2.1	2	
	10	F210157-00	SHAFT PROPELLER B		1	
	11	F210158-00	SHAFT PROPELLER A		1	
	12	A100014-43	CIRCLIP,E TYPE	Ø6	2	
	13	F210185-00	BRACKET ASSY.		1	
	14	A220084-00	CLAMP	SY525	1	
	15	F210245-00	DUST COVER	Ø31.3XØ55	2	
	16	F210246-00	DUST COVER	Ø27XØ50	2	
	17	F210243-01	F210326-00	Ø29XØ73	4	
	18	F210244-01	DUST COVER ASSY	Ø30XØ76	4	

D1035-192A

**BRAKE SYSTEM**



D1035-201A

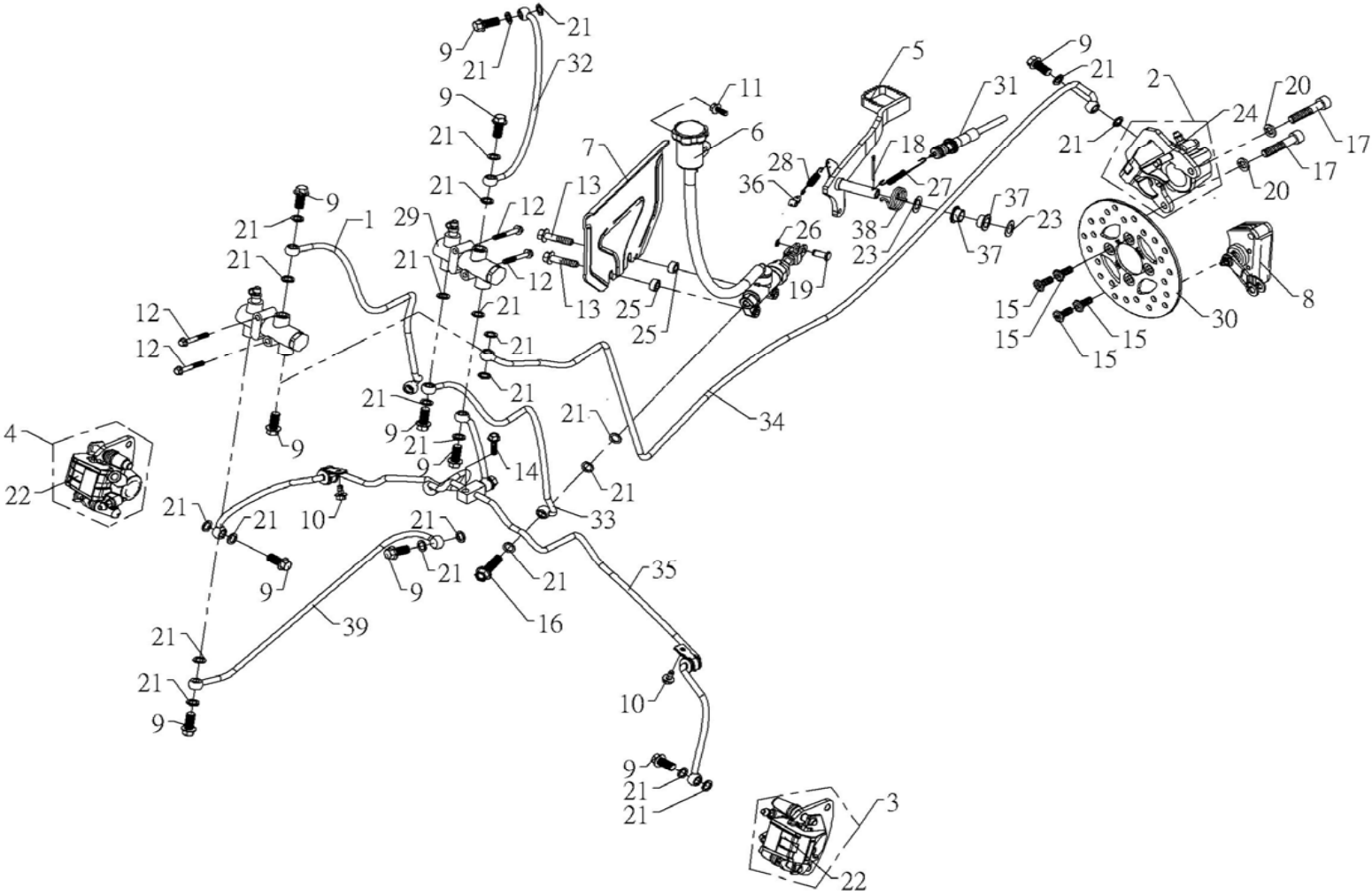
**BRAKE SYSTEM**

Model	Item	Part no	Description	Specification	Q'ty of Usage	Note
	01	A220081A00	BRAKING HOSE	660L	1	
	02	F210103-00	REAR BRAKE ASSY.		1	
	03	F210105-00	FRONT BRAKE ASSY(L).		1	
	04	F210106-00	FRONT BRAKE ASSY(R).		1	
	05	F210111-48	PEDAL,BRAKE		1	
	06	F210141A00	CYLINDER ASS'Y MASTER		1	
	07	F210142-52	PROTECTOR		1	
	08	F210182-00	REAR BRAKE ASSY.		1	
	09	A050009-44	HEXAGONAL FLANGE BOLT	M10×1.25×22L	11	
	10	A050017-41	HEXAGONAL FLANGE BOLT	M6×1.0×12L	2	
	11	A050024-41	HEXAGONAL FLANGE BOLT	M6×1.0×16L	1	
	12	A050069-41	HEXAGONAL FLANGE BOLT	M6×1.0×40L	4	
	13	A050179-41	HEXAGONAL FLANGE BOLT	M8×1.25×35L	2	
	14	A050077-43	HEXAGONAL FLANGE BOLT	M6×1.0×25L	1	
	15	A050183-41	BOLT	M8×1.25×17L	4	
	16	A050196-44	HEXAGONAL FLANGE BOLT	M10×1.25×39L	1	
	17	A050276-00	HEX SOCKET BOLT	M10×1.5×50L	2	
	18	A070011-41	COTTER PIN	2.5×34.5L	1	
	19	A070021-42	PIN	Ø7×15	1	
	20	A080009-41	SPRING WASHER	Ø10.2×3.7×2.5t	2	
	21	A080011-00	WASHER	Ø10.3×15×1.5	25	
	22	F210176-00	BRAKE PAD,ASSY		2	
	23	A080086-41	WASHER	Ø13×Ø22×0.8t	2	
	24	F140239-00	BRAKE PAD,ASSY		1	
	25	A090060-41	SPACER	Ø15×Ø8.2×7.5	2	
	26	A100016-43	CIRCLIP,E TYPE	Ø5	1	
	27	A110040-43	SPRING	Ø8×Ø1.2	1	
	28	A110041-41	SPRING	Ø14×Ø12.5×49.5L	1	

D1035-202A



**BRAKE SYSTEM**



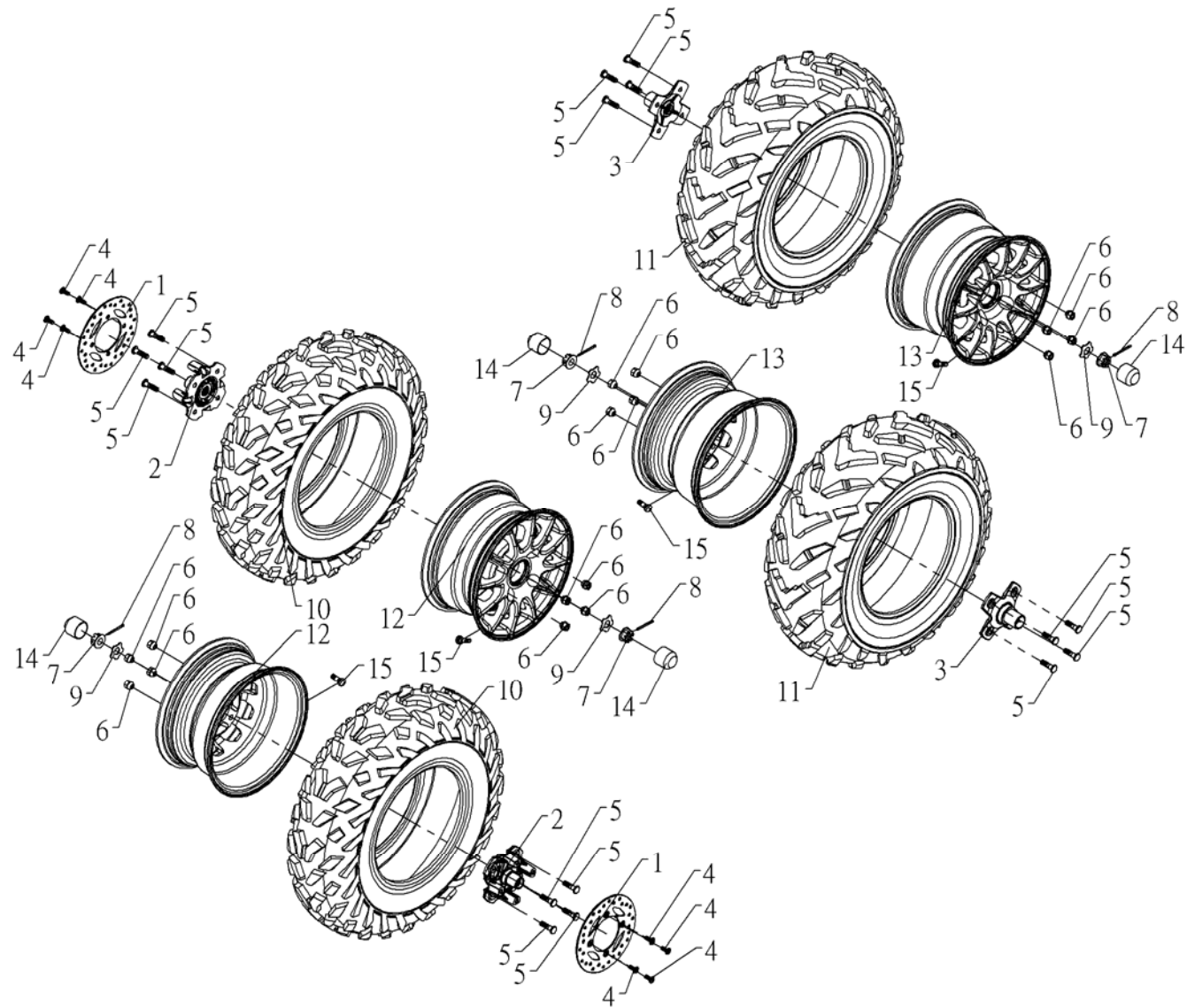
D1035-201A

## BRAKE SYSTEM

Model	Item	Part no	Description	Specification	Q'ty of Usage	Note
	29	A220015-00	PRESSURE VALVE	Ø14	2	
	30	F210077-00	REAR DISK,BRAKE	Ø170	1	
	31	A190128-00	FOOT BRAKE SENSOR		1	
	32	A220067-00	BRAKING HOSE		1	
	33	A220070B00	BRAKING HOSE		1	
	34	A220082A00	BRAKING HOSE	1705L	1	
	35	A220072A00	BRAKING HOSE		1	
	36	F140203-00	CONNECTOR		1	
	37	F150046-00	BUSH		2	
	38	F170060A42	TORSION SPRING		1	
	39	A220080-00	BRAKING HOSE	760L	1	

D1035-203A

# WHEEL



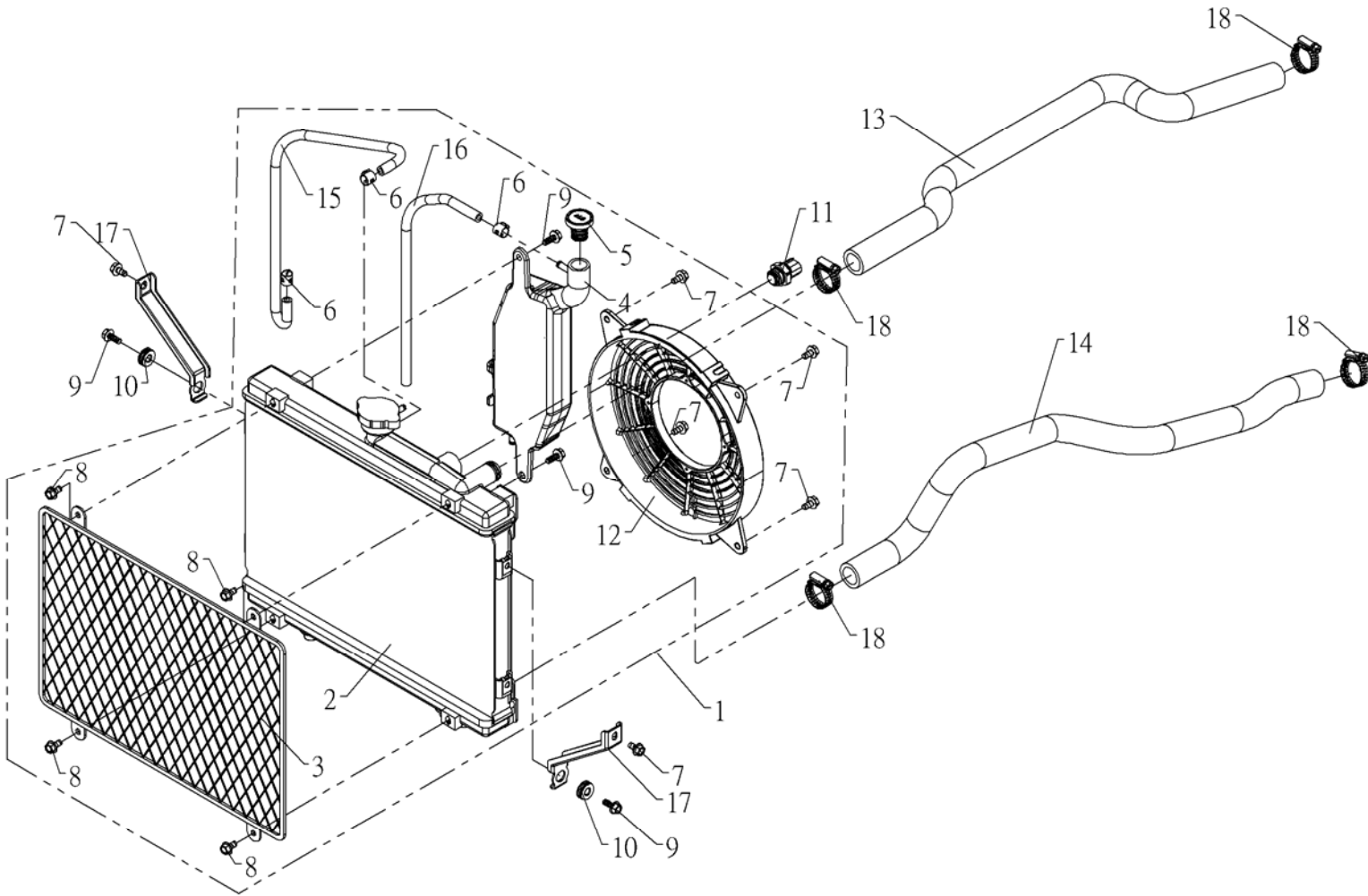
D1035-211A

**WHEEL**

<b>Model</b>	<b>Item</b>	<b>Part no</b>	<b>Description</b>	<b>Specification</b>	<b>Q'ty of Usage</b>	<b>Note</b>
	01	F210076-00	FRONT DISK,BRAKE	Ø200	2	
	02	F210101C00	HUB,FRONT WHEEL		2	
	03	F210107-48	HUB,REAR WHEEL		2	
	04	A050183-41	BOLT	M8×1.25×17L	8	
	05	A050208-41	INSERT BOLT	M10×1.25×40L	16	
	06	A060061-41	NUT	M10×1.25	16	
	07	A060081-42	CASTLE NUT	M18×1.5	4	
	08	A070048-41	COTTER PIN	4×46L	4	
	09	A080126-00	SPRING WASHER		4	
	10	A250006-00	TIRE	AT25×8	2	
	11	A250007-00	TIRE	AT25×10	2	
	12	A250014-00	RIM	12×6	2	
	13	A250015-00	RIM	12×7.5	2	
	14	A990286-00	NAME PLATE		4	
	15	F020154-00	RIM VALVE		4	

D1035-212A

RADIATOR

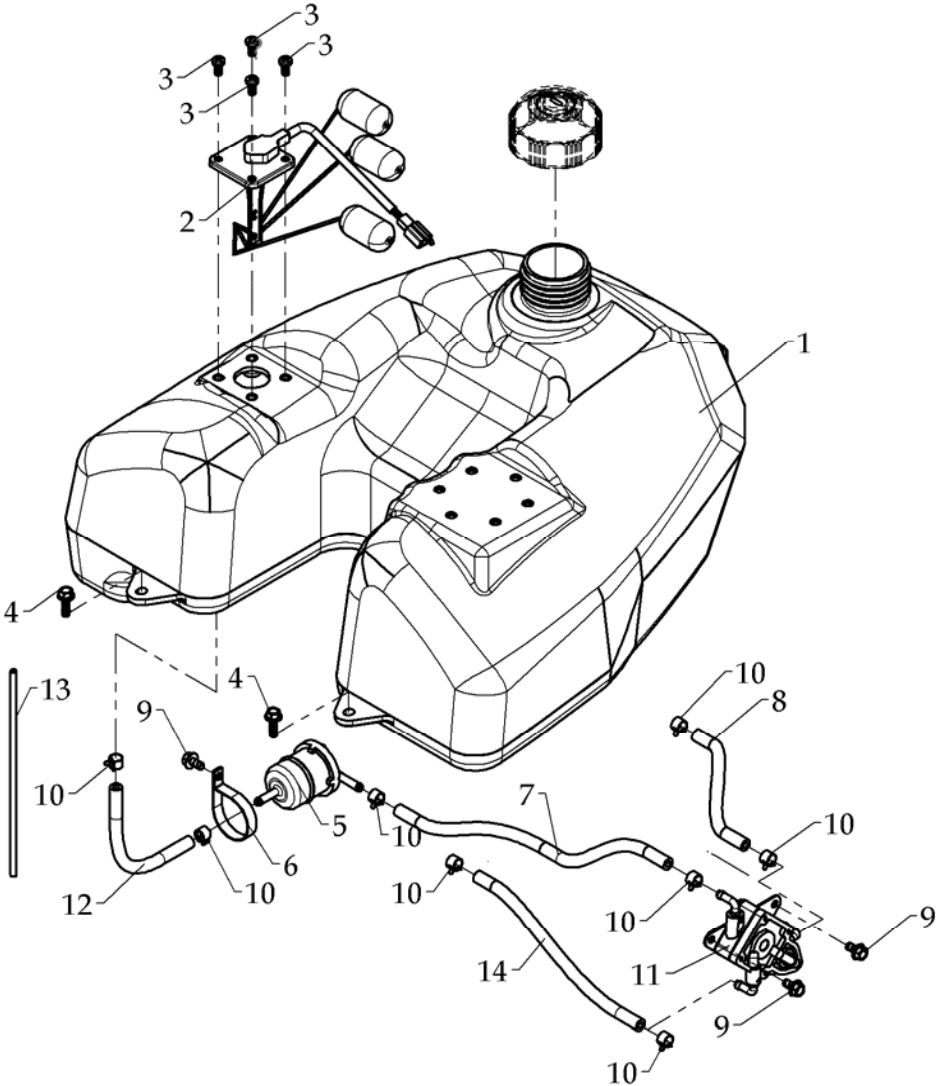


D1035-221A

## RADIATOR

Model	Item	Part no	Description	Specification	Q'ty of Usage	Note
	01	F210031-00	RADIATOR ASSEMBLY		1	
	02	F210051A00	RADIATOR		1	
	03	F210127-50	RADIATOR PROTECTOR		1	
	04	F210093-00	TANK, RESERVOIR		1	
	05	F210096-00	TANK, RESERVOIR		1	
	06	F020197-00	TUBE CLIP	9.2×0.6	3	
	07	A050017-41	HEXAGONAL FLANGE BOLT	M6×1.0×12L	6	
	08	A050017-43	HEXAGONAL FLANGE BOLT	M6×1.0×12L	4	
	09	A050024-41	HEXAGONAL FLANGE BOLT	M6×1.0×16L	4	
	10	A080124-00	BUSH		2	
	11	A190125-00	SWITCH, COOLING FAN		1	
	12	A190131-00	COOLING FAN ASSEMBLY		1	
	13	A220063-00	WATER HOSE	Ø21×Ø30×650L	1	
	14	A220064-00	WATER HOSE	Ø21×Ø30×730L	1	
	15	A220065-00	WATER HOSE	Ø6×Ø10.5×600L	1	
	16	A220066-00	WATER HOSE	Ø6×Ø10.5×410L	1	
	17	A230215-50	COOLER BRACKET		2	
	18	F150146-00	TUBE CLIP	Ø30~Ø40	4	

# FUEL TANK



D1035-231A

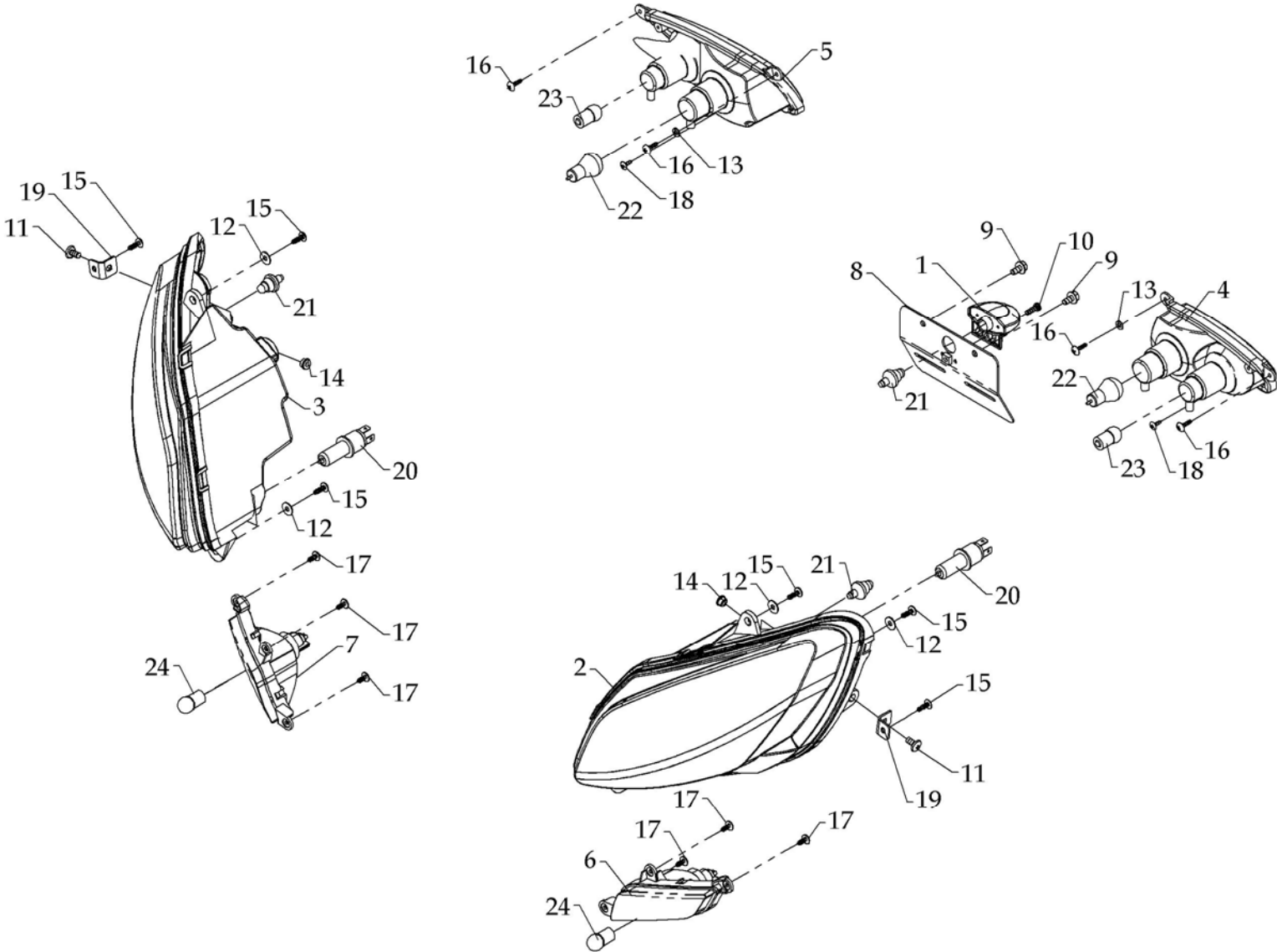
## FUEL TANK

Model	Item	Part no	Description	Specification	Q'ty of Usage	Note
	01	F210032A00	FUEL TANK		1	
	02	F210058-00	FLOAT GAUGE		1	
	03	A050271-41	SCREW	M6×P1.0×12L	4	
	04	A050016-41	HEXAGONAL FLANGE BOLT	M6×1.0×20L	2	
	05	F150223-00	FUEL FILTER ASSEMBLY		1	
	06	A220073-41	STRAP		1	
	07	A220075-00	FUEL TUBE	Ø5.3×Ø10.5×280L	1	
	08	A220077-00	FUEL TUBE	Ø5.3×Ø10.5×130L	1	
	09	A050017-41	HEXAGONAL FLANGE BOLT	M6×1.0×12L	3	
	10	A220036-00	TUBE CLIP	Ø10×8×0.6t	8	
	11	A240006-00	FUEL PUMP,RETURN		1	
	12	A220076-00	FUEL TUBE	Ø5.3×Ø10.5×180L	1	
	13	F150116-00	FUEL TUBE	Ø2.6×Ø5×210L	1	
	14	A220079-00	FUEL TUBE	Ø5.3×Ø10.5×220L	1	

D1035-232A



LIGHT



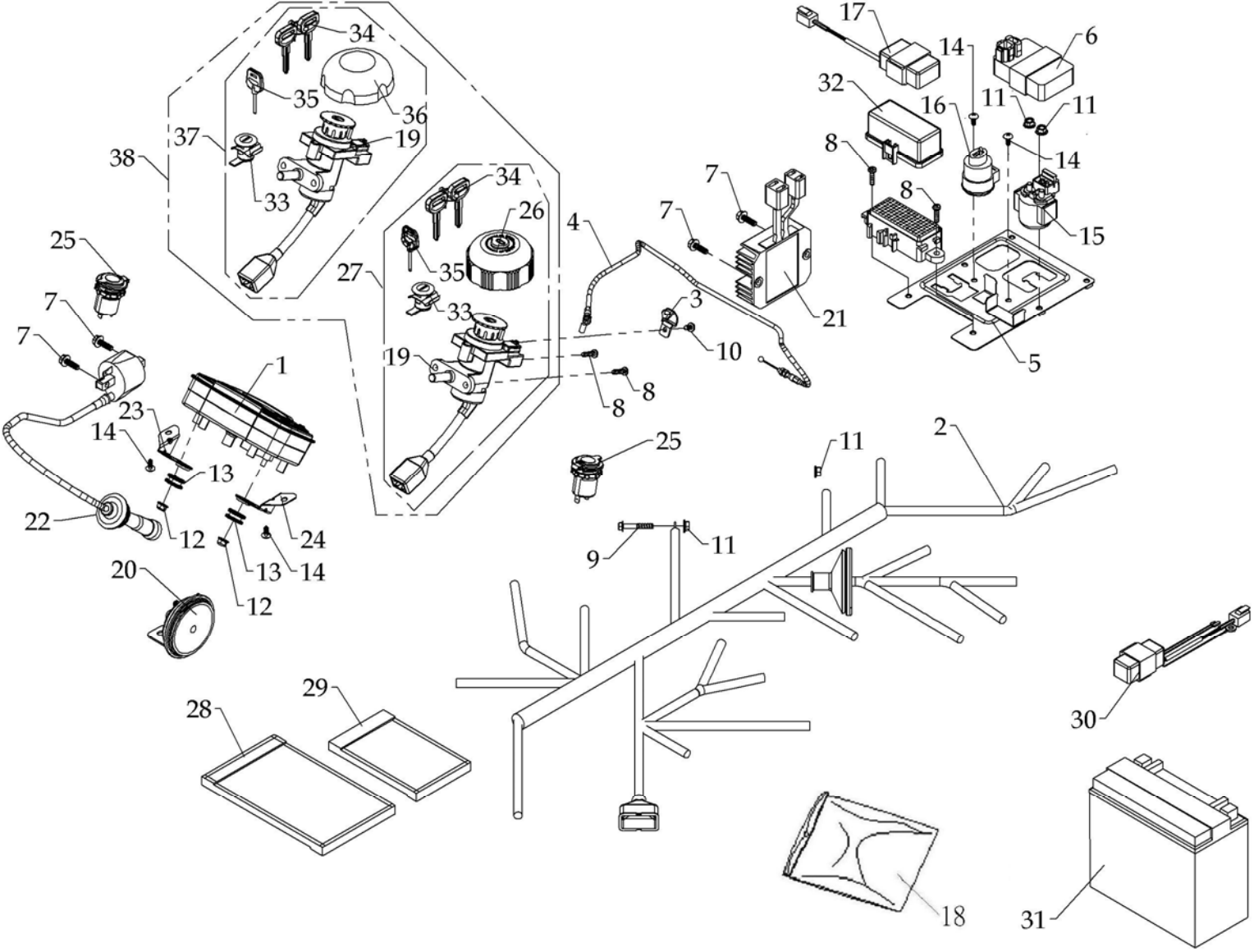
D1035-241A

**LIGHT**

<b>Model</b>	<b>Item</b>	<b>Part no</b>	<b>Description</b>	<b>Specification</b>	<b>Q'ty of Usage</b>	<b>Note</b>
	01	A180073A00	LAMPS,LICENSE PLATE		1	
	02	A180088-00	HEAD LIGHT	LEFT	1	
	03	A180089-00	HEAD LIGHT	RIGHT	1	
	04	A180069A00	TAIL LIGHT&DIRECTIONAL	LEFT	1	
	05	A180070A00	TAIL LIGHT&DIRECTIONAL	RIGHT	1	
	06	A180092-00	DIRECTIONAL	LEFT	1	
	07	A180093-00	DIRECTIONAL	RIGHT	1	
	08	F210048-50	LICENSE PLATE		1	
	09	A050017-41	HEXAGONAL FLANGE BOLT	M6×1.0×12L	2	
	10	A050031-41	PAN HEAD BOLT	M5×0.8×16L	1	
	11	A050091-41	MACHINE SCREW	M6×1.0×12L	2	
	12	A080034-41	SPACER	Ø5.5×Ø15×1.0	4	
	13	A080041-00	SPACER	Ø5.3×Ø10×1t	2	
	14	A090053-42	BUSHING		2	
	15	A130005-43	TAPPING SCREW	5mm×16	6	
	16	A130007-43	TAPPING SCREW	4mm×16L	4	
	17	A130002-43	TAPPING SCREW	4mm×12L	6	
	18	A130024-43	TAPPING SCREW	4×12L	2	
	19	A230265-50	BRACKET		2	
	20	A180055-00	BULB	12V-35/35W HS1,CE	2	
	21	A180049-00	BULB	12V-5W,CE	3	
	22	A180053-00	BULB	P21/5W(E-Mark)	2	
	23	A180051-00	BULB	12V-10W(E-Mark)	2	
	24	A180083-00	BULB	12V/10W,YELLOW	2	

D1035-242A

# ELECTRIC SYSTEM



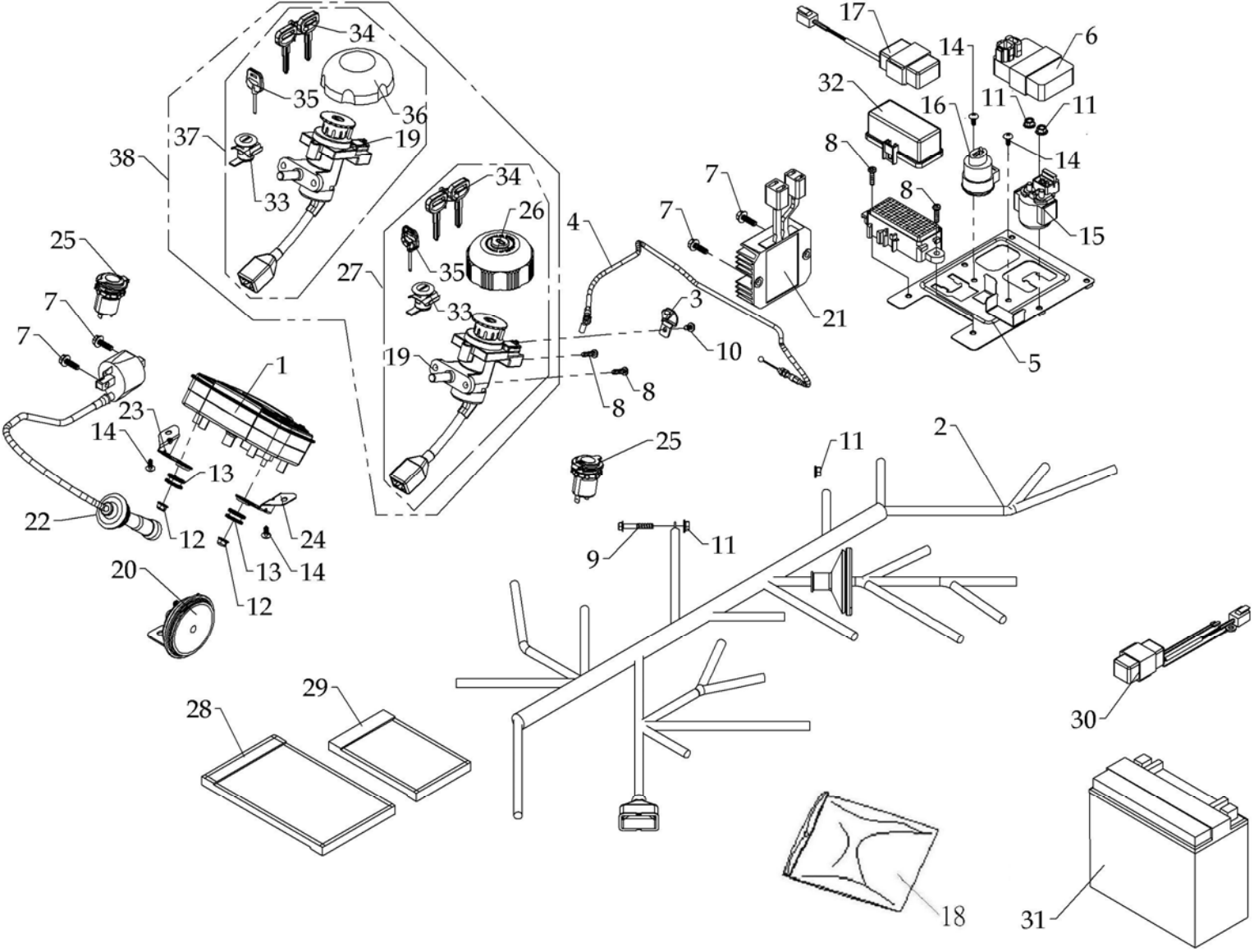
D1035-251A

**ELECTRIC SYSTEM**

<b>Model</b>	<b>Item</b>	<b>Part no</b>	<b>Description</b>	<b>Specification</b>	<b>Q'ty of Usage</b>	<b>Note</b>
	01	F210035A00	SPEEDOMETER	CAB	1	
	02	F210124A00	MAIN CABLE ASSY'		1	
	03	F210125-42	BRACKET		1	
	04	F210317-00	SEAT CABLE		1	
	05	F210027-50	BRACKET,ELECTRICS PARTS		1	
	06	A190108-00	C.D.I	63R	1	
	07	A050016-41	HEXAGONAL FLANGE BOLT	M6×1.0×20L	4	
	08	A050041-41	SCREW	M6×1.0×20L	4	
	09	A050139-41	HEXAGONAL FLANGE BOLT	M6×1.0×35L	1	
	10	A050159-41	PANHEAD SCREW & WASHER	M5×0.8×10L	1	
	11	A060009-41	HEX INSERT LOCK NUT	M6×1.0	4	
	12	A060053-41	HEX INSERT LOCK NUT	M6×1.0	2	
	13	A080125-00	BUSH		2	
	14	A130018-43	TAPPING SCREW	5mm×12L	4	
	15	A190102-00	STARTER RELAY		1	
	16	A190119-00	FLASH RELAY		1	
	17	A190070-00	PARKING LIGHT RELAY		1	
	18	F210156-00	TOOL KIT		1	
	19	A190105-01	SWITCH ASSY,IGNITION		1	
	20	A190133-00	HORN		1	
	21	A190101-00	REGULATOR		1	
	22	A190107-00	IGNITION COIL		1	
	23	A230206-50	R.BRACKET , METER	RIGHT	1	
	24	A230208-50	L.BRACKET, METER	LEFT	1	
	25	A190109-00	TERMINAL ASSY		2	
	26	A190112-01	FUEL TANK CAP	WITH LOCK	1	
	27	A190113-00	LOCK COMPLEMENT		1	
	28	A930005-00	STRAP	120×200	1	

D1035-252A

**ELECTRIC SYSTEM**



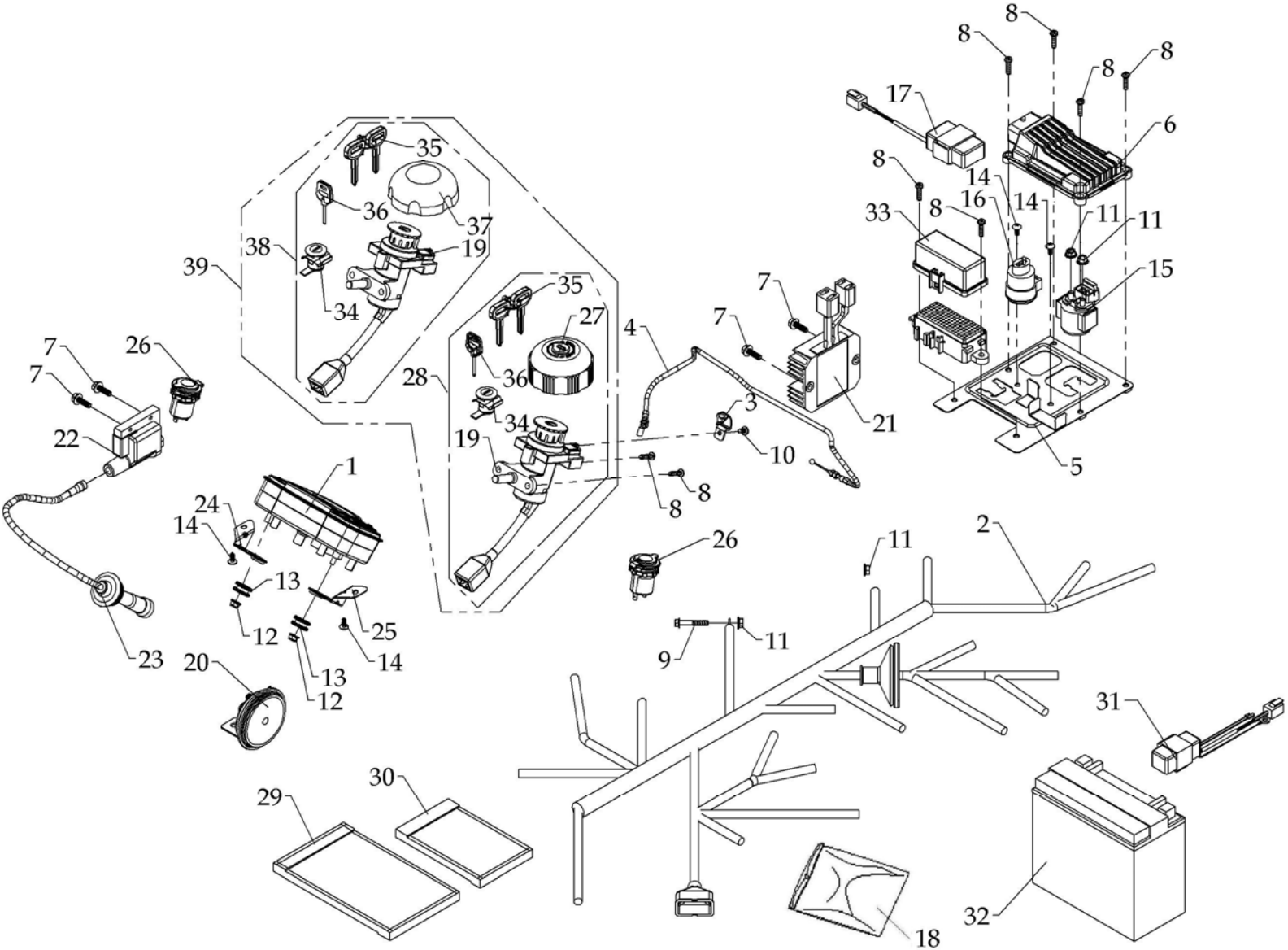
D1035-251A

## ELECTRIC SYSTEM

Model	Item	Part no	Description	Specification	Q'ty of Usage	Note
	29	F040097-00	JACKET		1	
	30	A190137A00	CONTROLLER		1	
	31	A190106-00	BATTERY	GT×20L-BS	1	
	32	A190142-00	FUSE BOX COVER		1	
	33	A190111-01	STORAGE COMPARTMENT LOCK		1	
	34	A190114-00	KEY		1	
	35	A190134-00	KEY		1	
	36	A190150-00	FUEL TANK CAP	WITHOUT	1	
	37	A190113-01	LOCK COMPLEMENT		1	
	38	A190113-98	LOCK COMPLEMENT	OPTION	1	

D1035-253A

# ELECTRIC SYSTEM (EFI)



D1035-261A

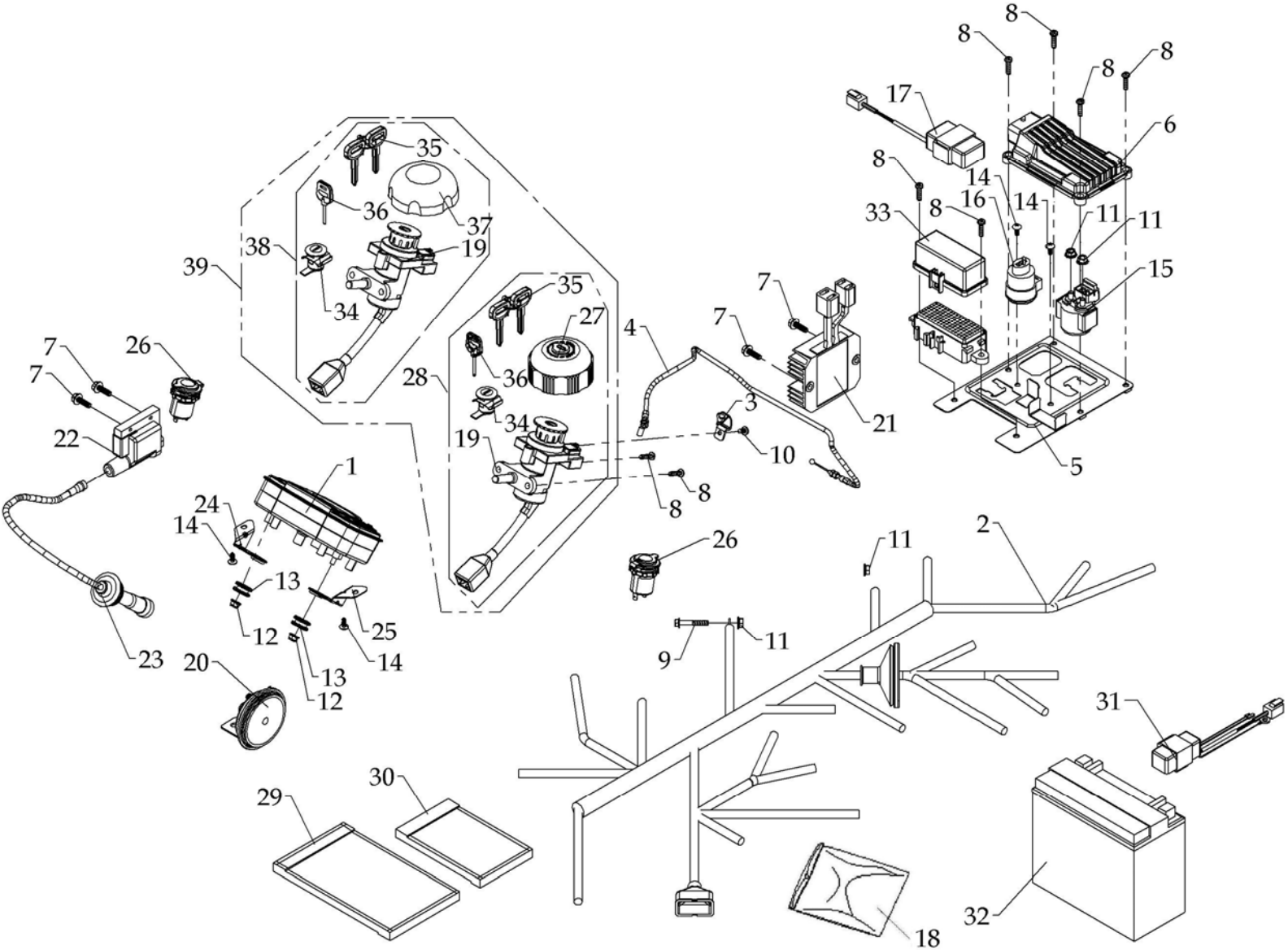
**ELECTRIC SYSTEM (EFI)**

Model	Item	Part no	Description	Specification	Q'ty of Usage	Note
	01	F210034-00	SPEEDOMETER	EFI	1	
	02	F210132-00	MAIN CABLE ASSY'		1	
	03	F210125-42	BRACKET		1	
	04	F210317-00	SEAT CABLE		1	
	05	F210027-50	BRACKET,ELECTRICS PARTS		1	
	06	E150168-00	ECU	M3C	1	
	07	A050016-41	HEXAGONAL FLANGE BOLT	M6×1.0×20L	4	
	08	A050041-41	SCREW	M6×1.0×20L	8	
	09	A050139-41	HEXAGONAL FLANGE BOLT	M6×1.0×35L	1	
	10	A050159-41	PANHEAD SCREW & WASHER	M5×0.8×10L	1	
	11	A060009-41	HEX INSERT LOCK NUT	M6×1.0	4	
	12	A060053-41	HEX INSERT LOCK NUT	M6×1.0	2	
	13	A080125-00	BUSH		2	
	14	A130018-43	TAPPING SCREW	5mm×12L	4	
	15	A190102-00	STARTER RELAY		1	
	16	A190119-00	FLASH RELAY		1	
	17	A190070-00	PARKING LIGHT RELAY		1	
	18	F210156-00	TOOL KIT		1	
	19	A190105-01	SWITCH ASSY,IGNITION		1	
	20	A190133-00	HORN		1	
	21	A190101-00	REGULATOR		1	
	22	E150171-00	IGNITION COIL		1	
	23	A190117-00	HITRNSION CORD COMP		1	
	24	A230206-50	R.BRACKET , METER	RIGHT	1	
	25	A230208-50	L.BRACKET, METER	LEFT	1	
	26	A190109-00	TERMINAL ASSY		2	
	27	A190112-01	FUEL TANK CAP LOCK		1	
	28	A190113-00	LOCK COMPLEMENT		1	

D1035-262A



**ELECTRIC SYSTEM (EFI)**



D1035-261A

## ELECTRIC SYSTEM (EFI)

Model	Item	Part no	Description	Specification	Q'ty of Usage	Note
	29	A930005-00	STRAP	120×200	1	
	30	F040097-00	JACKET		1	
	31	A190137A00	CONTROLER		1	
	32	A190106-00	BATTERY	GT×20L-BS	1	
	33	A190142-00	FUSE BOX COVER		1	
	34	A190111-01	STORAGE COMPARTMENT LOCK		1	
	35	A190114-00	KEY		1	
	36	A190134-00	KEY		1	
	37	A190150-00	FUEL TANK CAP	WITHOUT	1	
	38	A190113-01	LOCK COMPLEMENT		1	
	39	A190113-98	LOCK COMPLEMENT	OPTION	1	

D1035-263A

# GEAR BOX ASSY, REAR DRIVER



D1035-271A

**GEAR BOX ASSY,REAR DRIVER**

Model	Item	Part no	Description	Specification	Q'ty of Usage	Note
	01	F210273-00	SIDE CASE BOX ASSY.	A-I81-1100-A0	1	
	02	F210263-00	CASE RR FINAL	P-I80-1200-A5	1	
	03	F210264-00	GEAR,RING	P-I88-5200-C0	1	
	04	F210265-00	GEAR,PINION	P-I88-5100-E1	1	
	05	A010067-00	DEEP-GROOVE BALL BEARING	6209	2	
	06	A010086-00	BEARING NEEDLE	HK1816	1	
	07	A010083-00	DEEP-GROOVE BALL BEARING	6207	1	
	08	F210296-00	SHIM	Ø46×Ø54×1t S-002-0077-10	2	
	09	A080120-00	WASHER	Ø8.2×Ø14.5×2t	3	
	10	F210293-00	SHIM	Ø36×Ø44×2 S-002-0352-00	1	
	11	A100044-00	Retaining Rings (External)	Ø24×1.2t	1	
	12	A030060-00	OIL SEAL	TC45×90×10	1	
	13	A030061-00	OIL SEAL	TC45×75×8	1	
	14	F210277-00	SCREW NUT	P-I71-9A00-A0	1	
	15	A040061-00	O-RING	Ø30.8×Ø3.2	1	
	16	F210287-00	HEXAGONAL FLANGE BOLT	M30(注油孔) S-008-00P5-A0	1	
	17	A050289-41	HEXAGONAL FLANGE BOLT	M10×1.25×35L×26	4	
	18	A050293-41	HEXAGONAL FLANGE BOLT	M8×1.25×12L-8T	3	
	19	A050288-41	HEXAGONAL FLANGE BOLT	M8×1.25×30L×22	4	
	20	F210259-00	BREATHER TUBE RR SEAR ASSY	S-00D-0021-00	1	
	21	A220088-00	CLAMP CLIP	Ø10.5×Ø12.5×8	1	
	22	F210290-00	C TYPE CIR CILP(HOLE)	85 S-00H-00I1-A0	1	
	23	F210266-00	GEAR CASE	P-I81-1900-C5	1	
	24	F210267-00	SCREW GEAR(INPUT)	P-I81-5800-C0	1	
	25	F210268-00	SCREW GEAR(OUTPUT)	P-I81-5810-C0	1	
	26	F210269-00	RING,LOCATION	P-I81-9300-B0	1	
	27	F210270-00	A SEAT OF BRAKE	P-I81-9C00-B0	1	
	28	F210092-00	CALIPER HODER		1	

D1035-272A

**GEAR BOX ASSY,REAR DRIVER**



D1035-271A

**GEAR BOX ASSY,REAR DRIVER**

Model	Item	Part no	Description	Specification	Q'ty of Usage	Note
	29	F210288-00	INSERT LOCK WASHER	P-I88-9H00-C0	1	
	30	A010087-00	BEARING NEEDLE	HK2220	2	
	31	A010084-00	DEEP-GROOVE BALL BEARING	6208	2	
	32	F210280-00	BEARING NEEDLE	AXK2542 S-001-00262-A0	2	
	33	A080089-00	WASHER	Ø14.2×Ø21×1.0t	1	
	34	F210292-00	BEARING WASHER	AS2542 S-002-0732-A0	4	
	35	F210291-00	SPACER	Ø25×Ø40×1 S-002-0752-B0	2	
	36	A040062-00	O-RING	G75	1	
	37	F210286-00	HEX SOCKET BOLT	M14 S-008-00C2-00	1	
	38	A050224-41	HEXAGONAL FLANGE BOLT	M10×1.25×20L	1	
	39	A030062-00	OIL SEAL	TC38×62×7	1	
	40	A030063-00	OIL SEAL	TC40×70×10	1	
	41	A050290-41	HEX SOCKET BOLT	M8×1.25×40L-8T	3	
	42	A050291-41	HEX SOCKET BOLT	M8×1.25×100L×28	2	
	43	A050292-41	HEX SOCKET BOLT	M8×1.25×140L×28	2	
	44	A080129-00	SPRING WASHER	Ø8.2×Ø15.4×2t	7	
	45	F210283-00	BUSHING	Ø8.2×Ø10×12L S-00I-0074-A0	1	
	46	F210185-00	BRACKET ASSY		1	
A	F210274-00	RR3GEAR BOX ASSY		A-I81-1200-A0	1	
B	F210275-00	OFFSET GEAR BOX ASSY		A-I81-1900-A0	1	

D1035-273A

**D/F GEAR BOX ASSY**



D1035-281A

**D/F GEAR BOX ASSY**

<b>Model</b>	<b>Item</b>	<b>Part no</b>	<b>Description</b>	<b>Specification</b>	<b>Q'ty of Usage</b>	<b>Note</b>
	1	F210247-00	GEAR MOTOR ASSEMBLY	A-I24-4000-A0	1	
	2	F210248-00	CARRIER ASSEMBLY	A-I24-2000-A0	1	
	3	F210249-00	COVER,FR DIFF	P-I24-1100-C5	1	
	4	F210250-00	GEAR CASE DIFF	P-I24-1200-C5	1	
	5	A010088-00	BEARING NEEDLE	HK1612	1	
	6	F210251-00	PINION	P-I24-5100-C1	1	
	7	F210293-00	SHIM	Ø36×Ø44×2 S-002-0352-00	1	
	8	A010083-00	DEEP-GROOVE BALL BEARING	6207	1	
	9	F210281-00	BUSHING	P-I24-9B00-B0	1	
	10	F210277-00	SCREW NUT	P-I71-9A00-A0	1	
	11	F210284-00	OIL SEAL	Ø40×Ø75×8t S-006-00V1-A0	1	
	12	A040059-00	O-RING	P26	1	
	13	F210252-00	COUPLING&DUST COVER ASSY	A-I24-9400-A0	1	
	14	F210288-00	INSERT LOCK WASHER	P-I88-9H00-B0	1	
	15	A050224-41	HEXAGONAL FLANGE BOLT	M10×1.25×20L	1	
	16	F210294-00	SHIM	Ø61×5t S-002-0502-B0	1	
	17	F210253-00	SHAFT GEAR A	P-I24-6A00-C0	1	
	18	F210254-00	DRIVE CLUTCH	P-I24-3600-C0	1	
	19	F210255-00	SHIFT FORK	P-I24-4100-D4	1	
	20	F210256-00	SLIDE BOLCK A	P-I24-4400-A6	1	
	21	F210257-00	SLIDE BOLCK B	P-I24-4410-B6	1	
	22	F210258-00	ADAPTER	P-I24-3C00-B0	1	
	23	A100043-00	Retaining Rings (External)	Ø34×1.5t	1	
	24	A010085-00	DEEP-GROOVE BALL BEARING	16007	1	
	25	F210289-00	C TYPE CIR CILP(HOLE)	R62 S-00H-0031-C0	1	
	26	F210295-00	SHIM	Ø89×1t S-002-0422-B0	1	
	27	A040060-00	O-RING	Ø62×Ø2	1	
	28	A050160-41	HEX SOCKET BOLT	M8×1.0×20L	3	

D1035-282A



**D/F GEAR BOX ASSY**



D1035-281A

**D/F GEAR BOX ASSY**

<b>Model</b>	<b>Item</b>	<b>Part no</b>	<b>Description</b>	<b>Specification</b>	<b>Q'ty of Usage</b>	<b>Note</b>
	29	F210278-00	SHAFT	WHITE,P-I24-9500-B0	1	
	30	F210279-00	SHAFT	BLACK,P-I24-9530-A0	1	
	31	A050287-41	FLANGE BOLT	M8×1.25×10L-8T	1	
	32	F210285-00	OIL SEAL	Ø25×Ø45×7t S-006-00C1-B0	2	
	33	A220088-00	CLAMP CLIP	Ø10.5×Ø12.5×8	1	
	34	F210259-00	BREATHER TUBE RR SEAR ASSY	S-00D-0021-A0	1	
	35	A080120-00	WASHER	Ø8.2×Ø14.5×2t	2	
	36	A050293-41	HEXAGONAL FLANGE BOLT	M8×1.25×12L-8T	2	
	37	A080089-00	WASHER	Ø14.2×Ø21×1.0t	1	
	38	F210286-00	HEX SOCKET BOLT	M14 S-008-00C2-00	1	
	39	F210282-00	BUSHING	Ø10.2×Ø14×16L S-00I-0044-B0	1	
	40	A050288-41	HEXAGONAL FLANGE BOLT	M8×1.25×30L×22	6	

D1035-283A

# STICKERS

**WARNING**

3

**WARNING**

**IMPROPER TIRE PRESSURE OR OVERLOADING CAN CAUSE LOSS OF CONTROL. LOSS OF CONTROL CAN RESULT IN SEVERE INJURY OR DEATH.**

**COLD TIRE PRESSURE:** Set with tires cold  
 Recommended : FRONT : 35kpa, {0.35bar} , 5.0psi  
 REAR : 30kpa, {0.3 bar} , 4.4psi

Maximum Vehicle Load : 250 kg, (551 lbs)  
 Includes weight of operator, cargo and accessories.

7



**WARNING**

Failure to stop vehicle completely before doing the following could result in your being thrown from the ATV.

**To engage reverse:**

- Stop vehicle completely.
- Shift transmission to neutral.
- Bring engine to idle. Apply brake.
- Shift range lever fully toward rear.

**To engage Hi-Lo range:**

- Stop vehicle completely.
- Bring engine to idle.
- Operate range lever while applying brake.

Hi- range: Normal riding.  
 Lo- range: Severe load conditions.  
 Read owner's manual for additional information.

6

**WARNING**

**Front**  
 NEVER carry passenger on this carrier.  
**MAXIMUM LOAD : 30 kg (66 lbs)**

10

**WARNING**

**Rear**  
 NEVER carry passenger on this carrier.  
**MAXIMUM LOAD : 60 kg (132 lbs)**

11

**WARNING**

Keep hands, hair, clothing, etc., away from fan. Fan starts automatically and may cause injury.

12



**WARNING**

Accessory must not exceed 60W rating and must be 12V type. Exceeding 60W or using other than 12V accessory can damage ATV electrical system and accessory.

4

**Attention!**

To LOCK the steering, please sit on the vehicle and turn the steering handlebar RIGHT or LEFT to the end and turn the key COUNTER-CLOCKWISE.

To UNLOCK the steering, turn the key CLOCKWISE.

Failing to follow the instruction will cause the lock functionless and a possible danger from a deadlock to steering.

15

**WARNING**

Failure to stop vehicle completely before doing the following could result in your being thrown from the ATV.

**To engage reverse:**

- Stop vehicle completely.
- Shift transmission to neutral.
- Bring engine to idle. Apply brake.
- Shift range lever fully toward rear.

5

MANUFACTURED BY: **DINLI METAL IND. CO.,LTD**

GAWR:	TIRE-DIMENSION-RIM	PSI COLD
FRONT: 250 kgs (551 lbs)	25 X 8 - 12	5.0
REAR : 300 kgs (661 lbs)	25 X 10 - 12	4.4

16

THIS VEHICLE CONFORMS TO ALL APPLICABLE U.S FEDERAL MOTOR VEHICLE SAFETY STANDARDS (FMVSS) AND EC DIRECTIVES IN EFFECT ON THE DATE OF MANUFACTURE SHOWN ABOVE.

VEHICLE TYPE : 700 CC ATV

**Brake completely for gear change**

9

**Attention!**

Please be sure to switch on the Lock button on left handlebar while using 4WD Lock.

14

**WARNING**

Use care when refill coolant. Do not spill out coolant which may be corrosive to vehicle surface.

13

**Attention!**

At 4WD Lock may cause steering hard and difficult to control the handlebar

17

**UNLEADED FUEL ONLY**

8

**STICKERS**

<b>Model</b>	<b>Item</b>	<b>Part no</b>	<b>Description</b>	<b>Specification</b>	<b>Q'ty of Usage</b>	<b>Note</b>
	01	A990289-00	STYLING STICKERS		1	
	02	A990292-00	PLATE,LOGO	DINLI-MARK	1	
	03	A990295-00	STICKERS		1	
	04	A990296-00	STICKERS		1	
	05	A990297-00	STICKERS		1	
	06	A990298-00	STICKERS		1	
	07	A990299-00	STICKERS		1	
	08	A990300-00	STICKERS		1	
	09	A990301-00	STICKERS		1	
	10	A990302-00	STICKERS		1	
	11	A990303-00	STICKERS		1	
	12	A990304-00	STICKERS		1	
	13	A990305-00	STICKERS		1	
	14	A990306-00	STICKERS		1	
	15	A990307-00	STICKERS		1	
	16	A990308-00	STICKERS		1	
	17	A990309-00	STICKERS		1	

D1035-292A

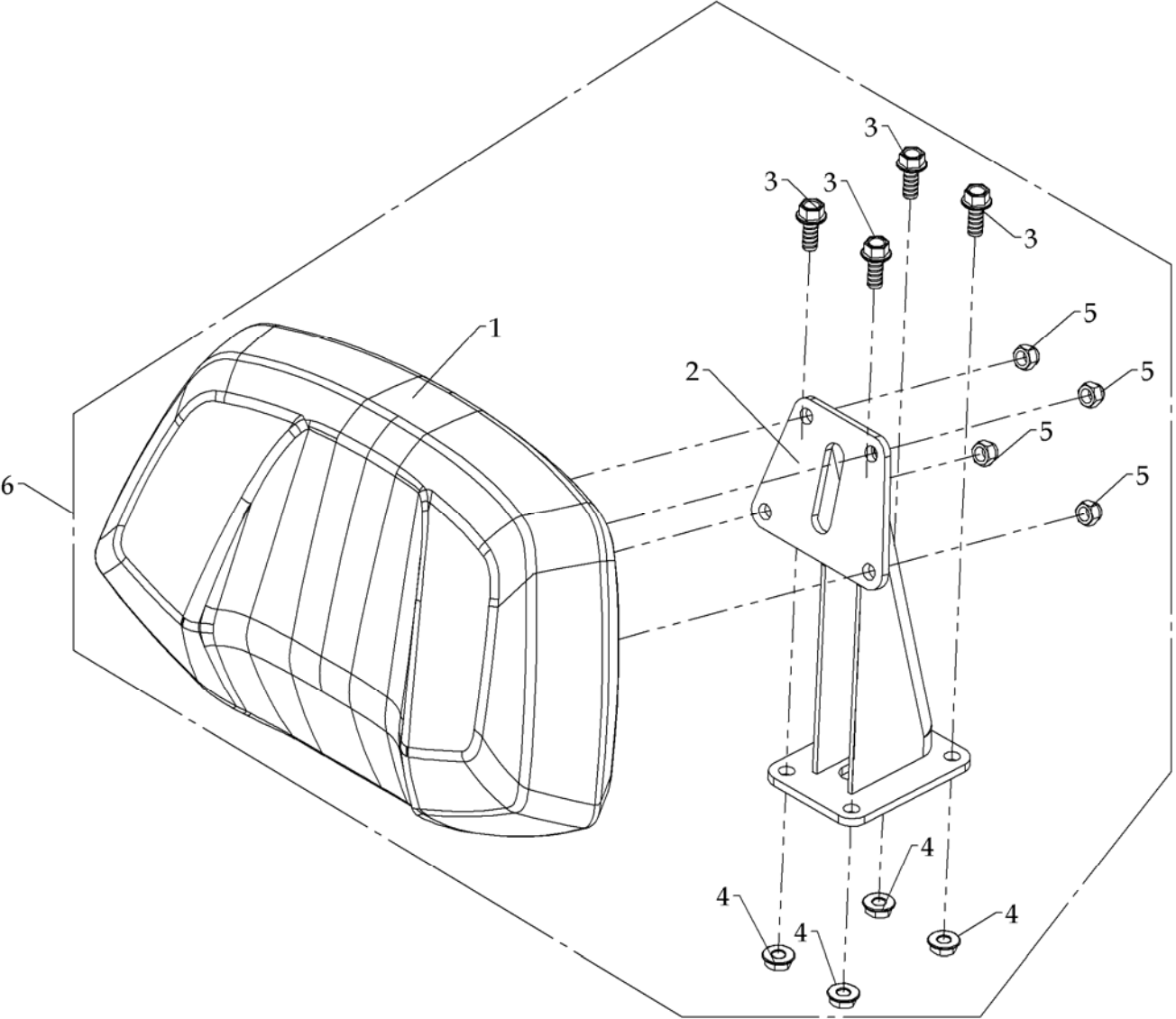


## DUCT,CVT

Model	Item	Part no	Description	Specification	Q'ty of Usage	Note
	01	F210340-00	CVT BREATHER		1	
	02	F210084-00	CONNECT, BREATHER		1	
	03	F210083-00	SCREEN		1	
	04	F210082-00	MIST FILTER		1	
	05	F210081-00	SCREEN		1	
	06	F210040-00	SCREEN		1	
	07	F210338-00	CONNECTOR1 , CVT DUCT RR		1	
	08	F210154-00	FOAM CORE,AIR CLEANER		1	
	*	F200005-00	CORE,AIR CLEANER		1	
	09	A050024-41	HEXAGONAL FLANGE BOLT	M6×1.0×16L	1	
	10	A130003-00	TAPPING SCREW	4mm×10L	2	
	11	A220056-00	ZEBRA HOSE CLAMPS	52-76×12.7	6	
	12	A220057-00	ZEBRA HOSE CLAMPS	65-89×12.7	2	
	13	A030051-02	WASHER	Ø64×Ø80×8t,CR	1	
	14	F210028-00	INTAKE DUCT		1	
	*	F210325-00	INTAKE DUCT	EFI	1	
	15	A050296-43	HEX SOCKET SCREW	M6X1.0X10L	3	
	16	A220090-00	CLAMP	Ø23×12×1.2t	1	
	17	F150130-00	DRAIN COVER		1	
	18	F210339-00	CONNECTOR2 , CVT DUCT RR		1	
	19	F210341-00	CVT DUCT RR		1	
	20	F210342-00	CONNECTOR3 , CVT DUCT RR		1	
	21	F210343-50	HOSE BRACKET		1	
	22	A230367-50	BRACKET		1	
	23	A050017-43	HEXAGONAL FLANGE BOLT	M6×1.0×12L	1	
	24	F210378-00	FILTER		1	

D1035-302A

**BACK REST**



D1035-311A

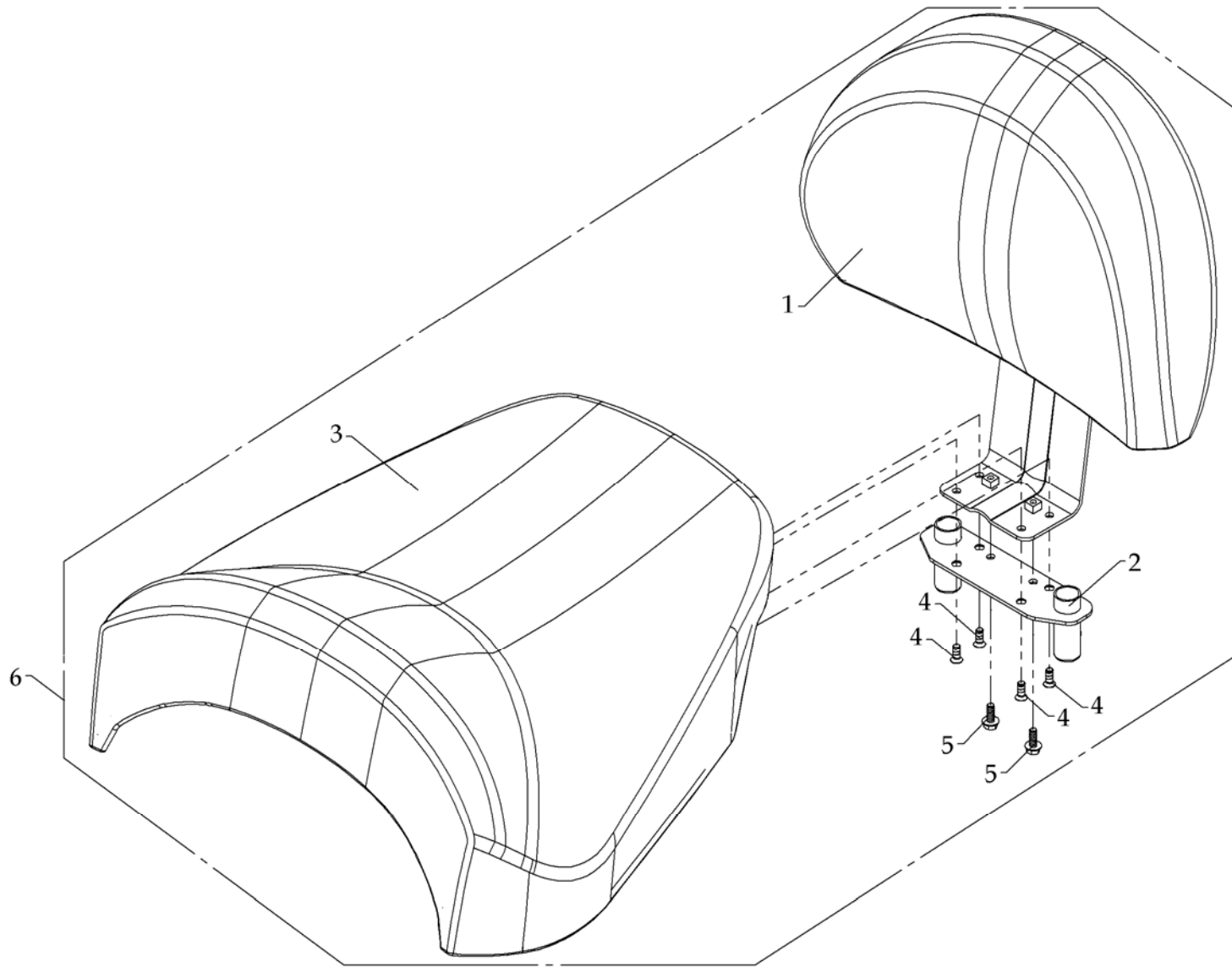
## BACK REST

Model	Item	Part no	Description	Specification	Q'ty of Usage	Note
	01	F210041-00	BACK REST		1	
	02	F210206-48	BRACKET, BACKREST		1	
	03	A050084-43	HEXAGONAL FLANGE BOLT	M8×1.25×20L	4	
	04	A060014-41	INSERT LOCK NUT	M8×1.25	4	
	05	A060086-00	NUT	M8×1.25	4	
	06	F210376-00	SEAT ASSY,REAR		1	

D1035-312A



# ACCESSORIES



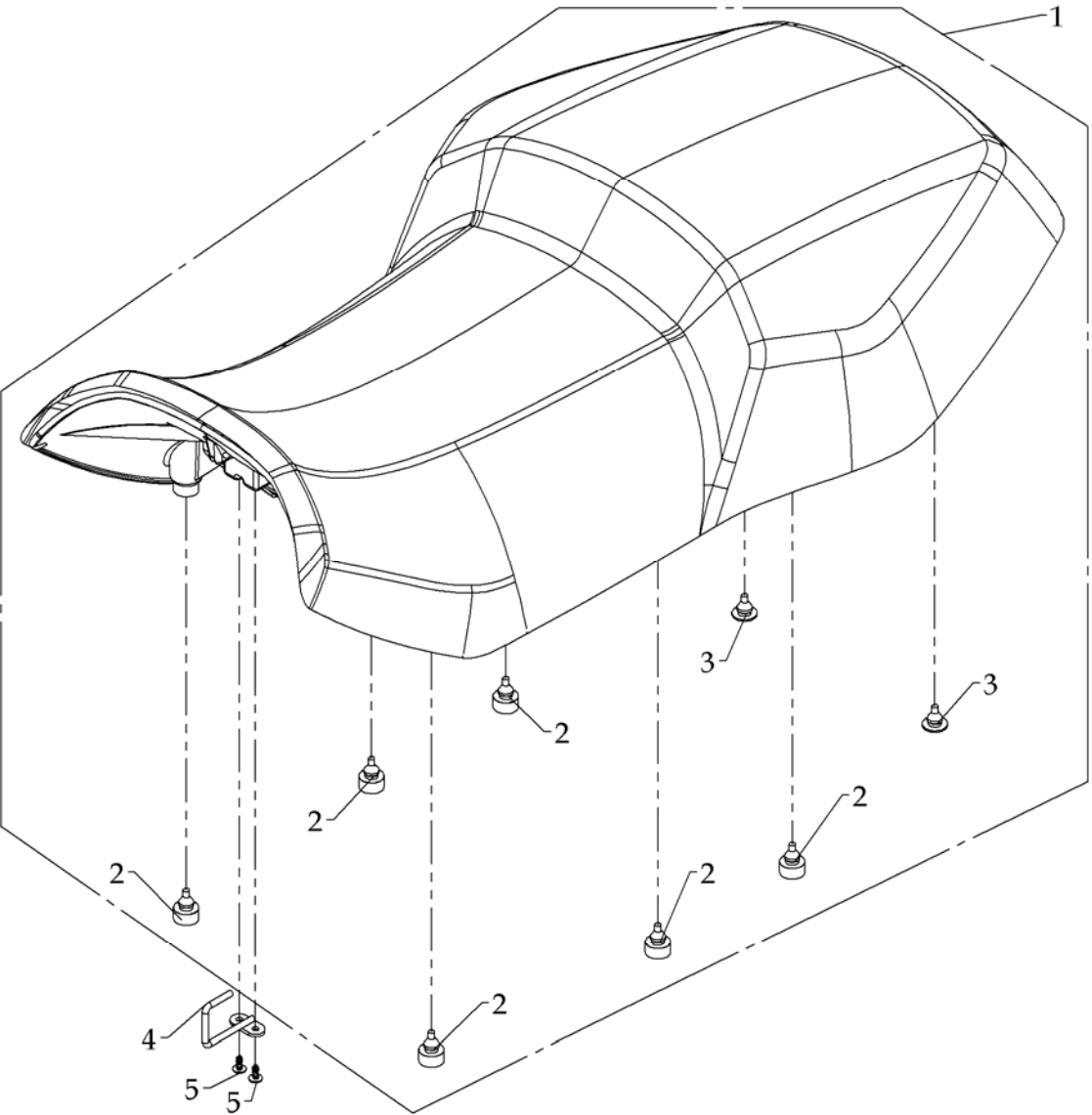
D1035-321A

## ACCESSORIES

Model	Item	Part no	Description	Specification	Q'ty of Usage	Note
	01	F210363-00	BACKREST		1	
	02	F210367-00	LOCATER,SEAT BASE		1	
	03	F210368-00	SEAT,REAR		1	
	04	A050255-41	MACHINE SCREW		4	
	05	A050024-41	HEX WASHER FACE BOLT	M6×1.0×16L	2	
	06	F210369-00	SEAT ASSY,REAR		1	

D1035-322A

**DELUXE SEAT(OPTION)**



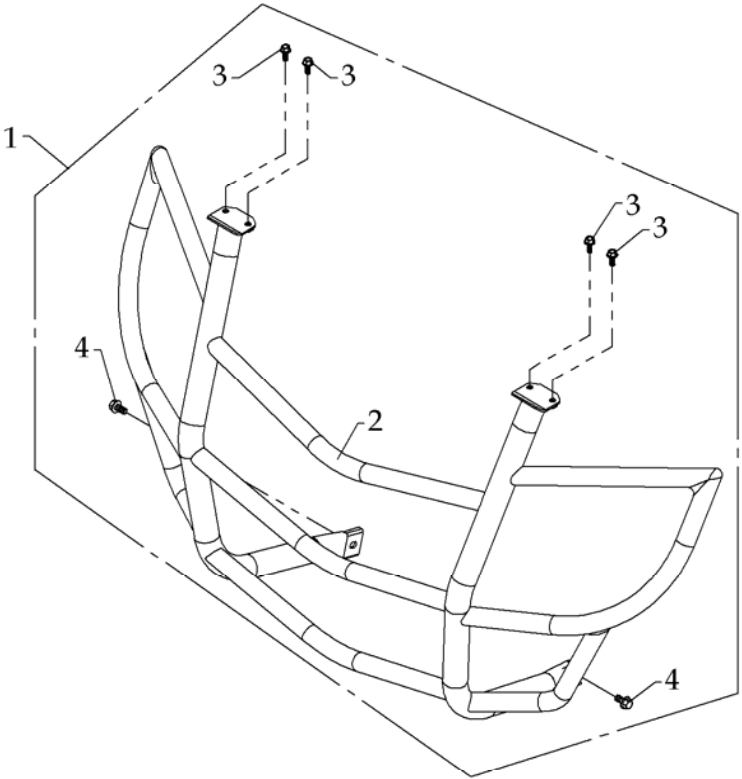
D1035-331A

**DELUXE SEAT(OPTION)**

<b>Model</b>	<b>Item</b>	<b>Part no</b>	<b>Description</b>	<b>Specification</b>	<b>Q'ty of Usage</b>	<b>Note</b>
	01	F210334-00	SEAT		1	
	02	A090049-00	SHOCKPROOF		6	
	03	A090050-00	PLUG		2	
	04	F210036-42	BRACKET,SEAT		1	
	05	A130018-43	TAPPING SCREW	5mm×12L	2	

D1035-332A

ACCESSORIES



D1035-341A

## ACCESSORIES

Model	Item	Part no	Description	Specification	Q'ty of Usage	Note
	01	F210329-00	BUMPER ASSY'		1	
	02	F210323-00	BUMPER		1	
	03	A050024-41	HEX WASHER FACE BOLT	M6×1.0×16L	4	
	04	A050049-41	HEXAGONAL FLANGE BOLT	M8×1.25×16L	2	

D1035-342A