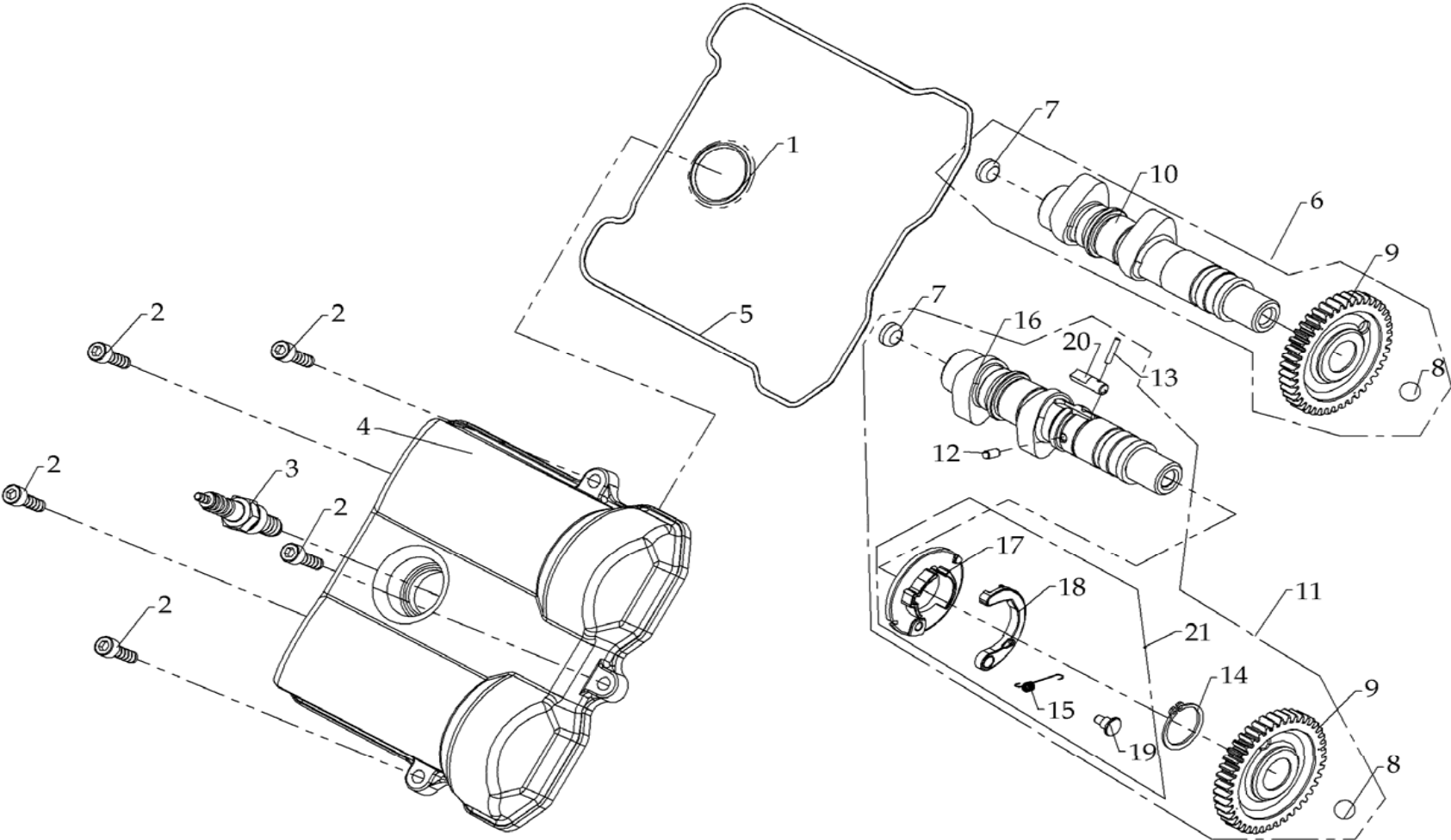


**CYLINDER HEAD COVER & CAMSHAFT**



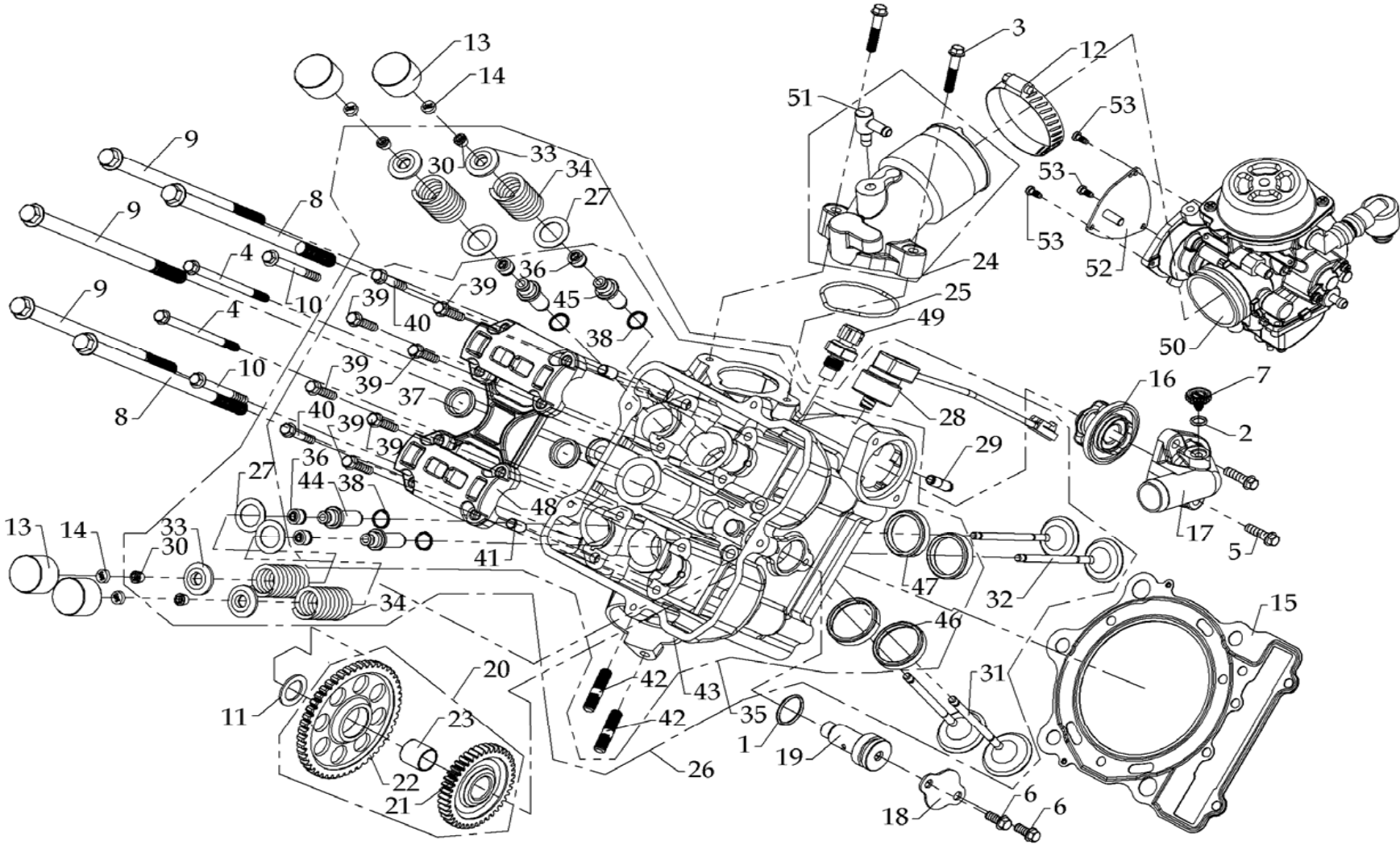
D2018-011A

**CYLINDER HEAD COVER & CAMSHAFT**

| <b>Model</b> | <b>Item</b> | <b>Part no</b> | <b>Description</b>      | <b>Specification</b> | <b>Q'ty of Usage</b> | <b>Note</b> |
|--------------|-------------|----------------|-------------------------|----------------------|----------------------|-------------|
|              | 1           | A040050-00     | O RING                  | Ø27.8XØ2.4           | 1                    |             |
|              | 2           | A050053-41     | HEX SOCKET BOLT         | M8X1.25X20L          | 5                    |             |
|              | 3           | A160011-00     | SPARK PLUG              | NGK-CR6E             | 1                    |             |
|              | 4           | E150009-02     | CYLINDER HEAD COVER     | GRAY,PANTONE 430U    | 1                    |             |
|              | 5           | E150123-00     | GASKET                  |                      | 1                    |             |
|              | 6           | E150143-00     | CAMSHIFT ASSY.          |                      | 1                    |             |
|              | 7           | A030047-42     | CAP                     | Ø12                  | 2                    |             |
|              | 8           | A150001-00     | BALL,BEARING            | Ø9.525               | 2                    |             |
|              | 9           | E150132-00     | GEAR, CAMSHAFT          | 42T                  | 2                    |             |
|              | 10          | E150139-00     | CAMSHAFT IN             |                      | 1                    |             |
|              | 11          | E150144A00     | CAMSHIFT ASSY.          |                      | 1                    |             |
|              | 12          | A070044-00     | PIN                     | Ø4X8L                | 1                    |             |
|              | 13          | A070045-00     | PIN , NEEDLE ROLLER     | F2.5X13.8            | 1                    |             |
|              | 14          | A100034-43     | CIRCLIP,C TYPE          | Ø23                  | 1                    |             |
|              | 15          | A110058-00     | SPRING                  |                      | 1                    |             |
|              | 16          | E150142-00     | CAMSHAFT EX             |                      | 1                    |             |
|              | 17          | E150192-00     | BODY,DECOMPRESSOR       |                      | 1                    |             |
|              | 18          | E150191-00     | ARM,DECOMPRESSOR        |                      | 1                    |             |
|              | 19          | E150149B00     | PIN                     |                      | 1                    |             |
|              | 20          | E150150-00     | PIN                     |                      | 1                    |             |
|              | 21          | E150199-00     | BODY,DECOMPRESSOR ASSY. |                      | 1                    |             |

D2018-012A

# CYLINDER HEAD(CARBURETOR)



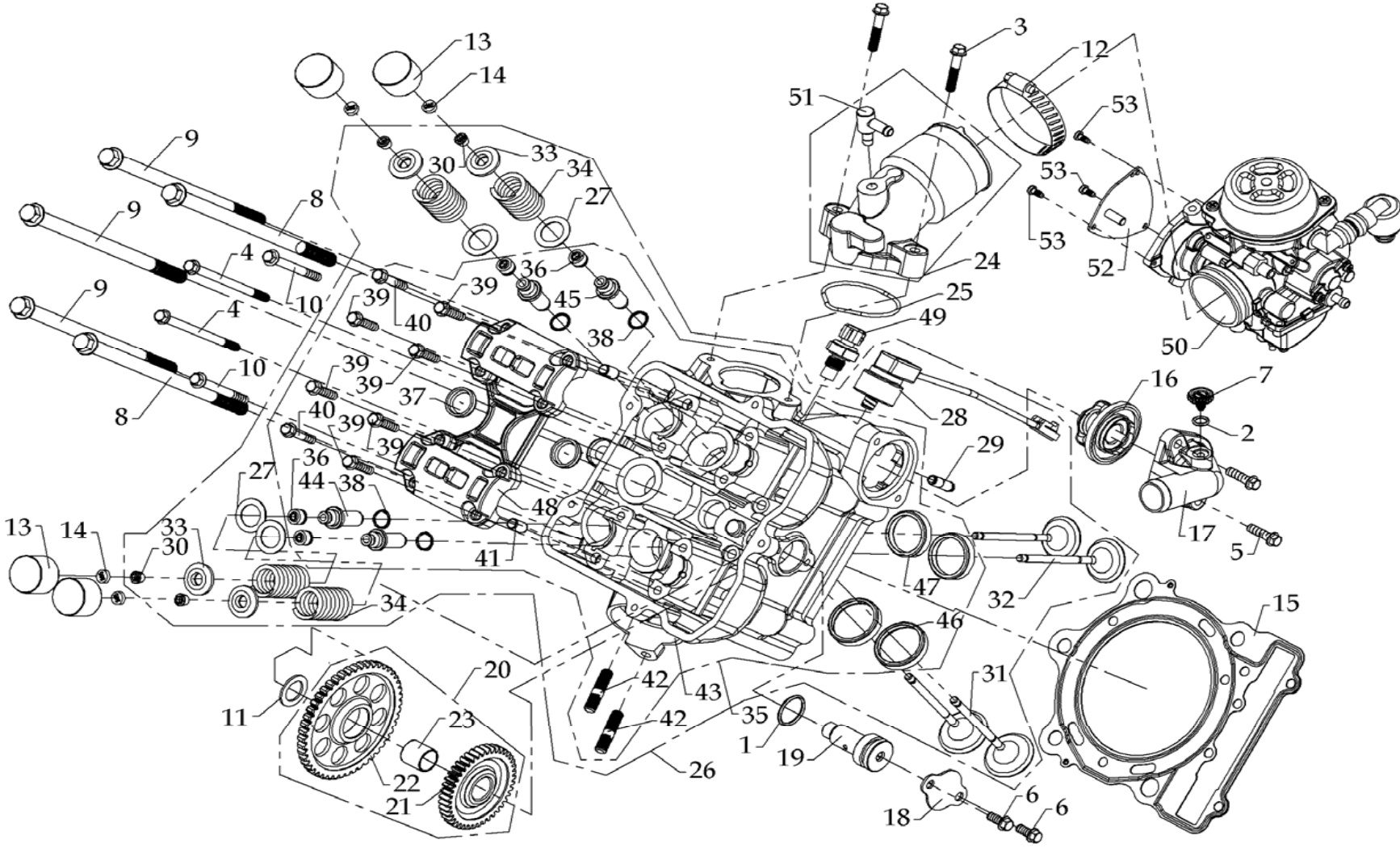
D2018-021A

## CYLINDER HEAD(CARBURETOR)

| Model   | Item | Part no    | Description                   | Specification     | Q'ty of Usage | Note |
|---------|------|------------|-------------------------------|-------------------|---------------|------|
|         | 1    | A040049-01 | O RING                        | Ø21XØ2 (VITON)    | 1             |      |
|         | 2    | A040039-00 | O RING                        | P8-7.8x1.9        | 1             |      |
|         | 3    | A050124-41 | HEX WASHER FACE BOLT          | M6X1.0X32L        | 2             |      |
|         | 4    | A050126-41 | HEXAGONAL FLANGE BOLT         | M6x1.0X95L        | 2             |      |
|         | 5    | A050131-41 | HEXAGONAL FLANGE BOLT         | M6x1.0X22L        | 2             |      |
|         | 6    | A050137-41 | HEXAGONAL FLANGE BOLT         | M6X1.0X14L        | 2             |      |
|         | 7    | A050241-56 | BOLT,AIR RELIE                | M6x1.0            | 1             |      |
|         | 8    | A050240-00 | HEXAGONAL FLANGE BOLT         | M10X1.25X200L-12T | 2             |      |
|         | 9    | A050244-41 | HEXAGONAL FLANGE BOLT         | M10X1.25X190L-12T | 3             |      |
|         | 10   | A050248-41 | HEXAGONAL FLANGE BOLT         | M6x1.0x60L        | 2             |      |
|         | 11   | A080121-00 | SPACER                        | Ø16.2XØ25X1.5t    | 1             |      |
|         | 12   | A220047-00 | ZEBRA HOSE CLAMPS             | 40-64x12.7        | 1             |      |
|         | 13   | E150004-02 | TAPPET                        |                   | 4             |      |
|         | 14   | E150005-XX | SHIM TAPPET                   |                   | 4             |      |
| 700     | 15   | E150012-00 | GASKET,CYLINDER HEAD ASSY     |                   | 1             |      |
| 800     | *    | E150223-00 | GASKET,CYLINDER HEAD ASSY     |                   | 1             |      |
| 600     | *    | E150239-00 | GASKET,CYLINDER HEAD ASSY     |                   | 1             |      |
|         | 16   | E150119-00 | THERMOSTAT,WATER              | Ø48.5XØ25X82°C    | 1             |      |
|         | 17   | E150122-02 | COVER,THERMOSTAT              | GRAY,PANTONE 430U | 1             |      |
|         | 18   | E150126-41 | COVER                         |                   | 1             |      |
|         | 19   | E150133-00 | DRIVER GEAR,TIMING CHAIN      |                   | 1             |      |
|         | 20   | E150134-00 | DRIVER GEAR,TIMING CHAIN ASSY |                   | 1             |      |
|         | 21   | E150131-00 | TIMING GEAR                   | 42T               | 1             |      |
|         | 22   | E150048-00 | DRIVER GEAR,TIMING CHAIN      | 48T               | 1             |      |
|         | 23   | A020013-00 | BAERING                       | Ø15.9xØ18x18      | 1             |      |
|         | 24   | E150174-00 | CONNCTOR,CARBURETOR           |                   | 1             |      |
|         | 25   | E150138-00 | GASKET                        |                   | 1             |      |
| 700,800 | 26   | E150166-00 | CYLINDER HEAD & VALVE ASSY"   |                   | 1             |      |
| 600     | *    | E150237-00 | CYLINDER HEAD & VALVE ASSY"   |                   | 1             |      |
|         | 27   | A090044-00 | WASHER                        | Ø16.6XØ25.5X0.8   | 4             |      |

D2018-022A

# CYLINDER HEAD(CARBURETOR)



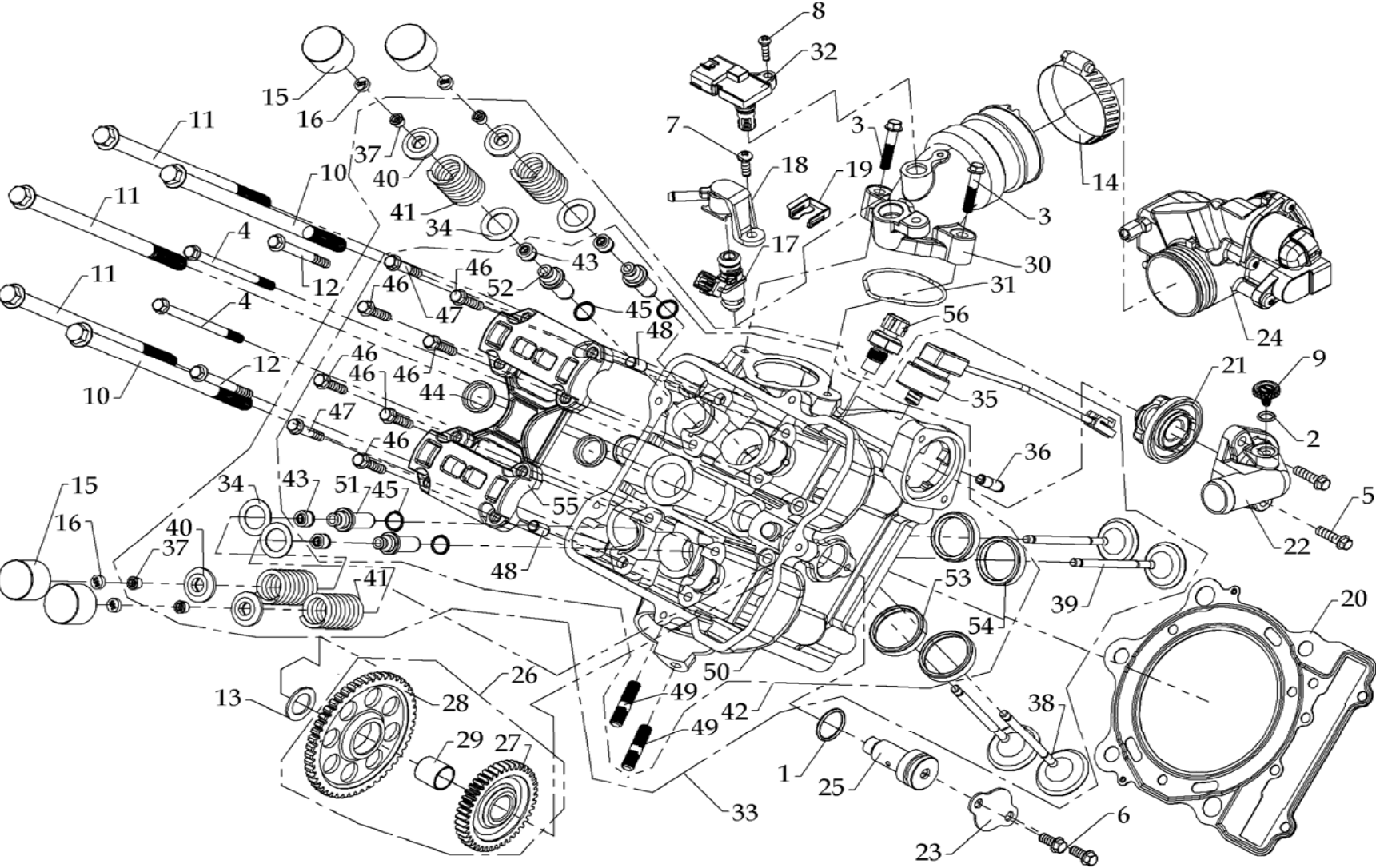
D2018-021A

## CYLINDER HEAD(CARBURETOR)

| Model   | Item | Part no    | Description              | Specification         | Q'ty of Usage | Note |
|---------|------|------------|--------------------------|-----------------------|---------------|------|
|         | 28   | A190116A00 | SUBHARNASS ASSY'         |                       | 1             |      |
|         | 29   | A220049-42 | UNION, HOSE              |                       | 1             |      |
|         | 30   | E130083-00 | VALVE KEEPER             |                       | 8             |      |
|         | 31   | E150002-00 | INTAKE VALVE             |                       | 2             |      |
|         | 32   | E150003-00 | EXHAUST VALVE            |                       | 2             |      |
|         | 33   | E150008-00 | RETAINER, VALVE SPRING   |                       | 4             |      |
|         | 34   | E150027-00 | VALVE SPRING             |                       | 4             |      |
| 700,800 | 35   | E150181A00 | CYLINDER HEAD ASSY"      |                       | 1             |      |
| 600     | *    | E150236-00 | CYLINDER HEAD ASSY"      |                       | 1             |      |
|         | 36   | A030025-01 | SEAL, VALVE STEM         | Ø5.5,VITON            | 4             |      |
|         | 37   | A030041-42 | CAP                      |                       | 2             |      |
|         | 38   | A040025-01 | O RING                   | S12X1.5,VITON         | 4             |      |
|         | 39   | A050121-41 | HEXAGONAL FLANGE BOLT    | M6x1.0X25L            | 6             |      |
|         | 40   | A050122-41 | HEXAGONAL FLANGE BOLT    | M6X1.0X30L            | 2             |      |
|         | 41   | A070018-00 | DOWEL PIN                | Ø8x14L                | 2             |      |
|         | 42   | A140015-00 | STUD BOLT                | M8X1.25X35L           | 2             |      |
| 700,800 | 43   | E150011A02 | CYLINDER HEAD COMP       | GRAY,PANTONE 430U     | 1             |      |
| 600     | *    | E150231-01 | CYLINDER HEAD COMP       | Ø92,GRAY,PANTONE 430U | 1             |      |
|         | 44   | E150015-00 | GUIDE,EX. VALVE          |                       | 2             |      |
|         | 45   | E150031-00 | GUIDE,IN. VALVE          |                       | 2             |      |
|         | 46   | E150050-00 | SEAT,INTAKE VALAE        |                       | 2             |      |
|         | 47   | E150129-00 | SEAT,EXHAUST VALVE       | EH-8                  | 2             |      |
|         | 48   | E150151-00 | COVER, CAMSHAFT          |                       | 1             |      |
|         | 49   | E150169-00 | COOLANT TEMPERATURE      |                       | 1             |      |
| 700     | 50   | E150176-00 | CARBURETOR               | Ø42                   | 1             |      |
| 600     | *    | E150245-00 | CARBURETOR               | 565c.c.               | 1             |      |
| 800     | *    | E150246-00 | CARBURETOR               | 750c.c.               | 1             |      |
|         | 51   | A220054-41 | BREATHHER TUBE CONNECTOR |                       | 1             |      |
|         | 52   | A230312-41 | CARBURETOR,PLATE         |                       | 1             |      |
|         | 53   | A050281-00 | SPECIAL HEAD SCREW       |                       | 3             |      |

D2018-023A

CYLINDER HEAD(E.F.I)



D2018-031A

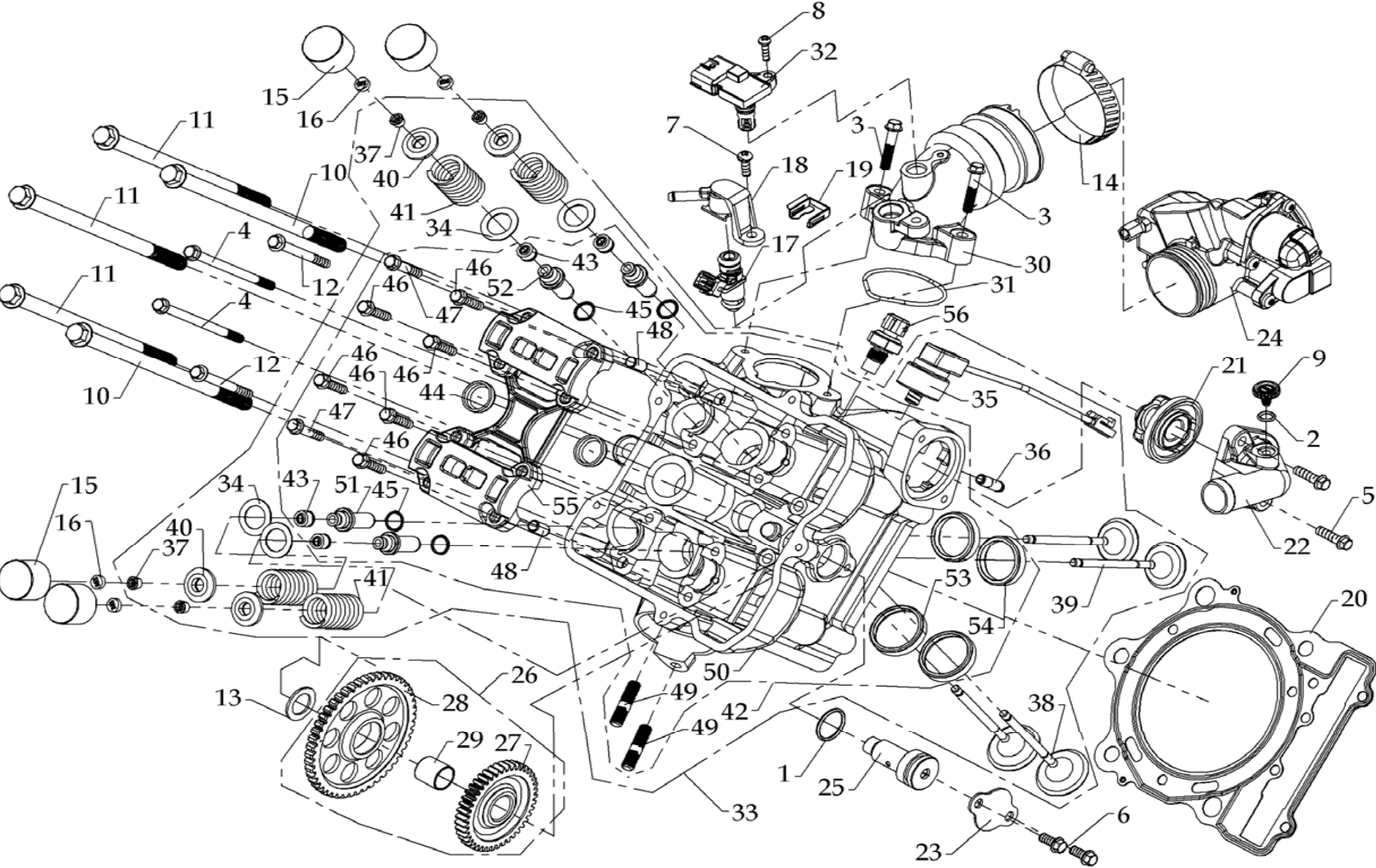
**CYLINDER HEAD(E.F.I)**

| Model | Item | Part no    | Description                   | Specification     | Q'ty of Usage | Note |
|-------|------|------------|-------------------------------|-------------------|---------------|------|
|       | 1    | A040049-01 | O RING                        | Ø21XØ2 (VITON)    | 1             |      |
|       | 2    | A040039-00 | O RING                        | P8-7.8x1.9        | 1             |      |
|       | 3    | A050124-41 | HEX WASHER FACE BOLT          | M6X1.0X32L        | 2             |      |
|       | 4    | A050126-41 | HEXAGONAL FLANGE BOLT         | M6x1.0X95L        | 2             |      |
|       | 5    | A050131-41 | HEXAGONAL FLANGE BOLT         | M6x1.0X22L        | 2             |      |
|       | 6    | A050137-41 | HEXAGONAL FLANGE BOLT         | M6X1.0X14L        | 2             |      |
|       | 7    | A050156-41 | PANHEAD SCREW & SPRING WASHER | M6x1.0x16L        | 1             |      |
|       | 8    | A050173-43 | SCREW                         | M4x0.7x16L        | 1             |      |
|       | 9    | A050241-56 | BOLT,AIR RELIE                | M6x1.0            | 1             |      |
|       | 10   | A050240-00 | HEXAGONAL FLANGE BOLT         | M10X1.25X200L-12T | 2             |      |
|       | 11   | A050244-41 | HEXAGONAL FLANGE BOLT         | M10X1.25X190L-12T | 3             |      |
|       | 12   | A050248-41 | HEXAGONAL FLANGE BOLT         | M6x1.0x60L        | 2             |      |
|       | 13   | A080121-00 | SPACER                        | Ø16.2XØ25X1.5t    | 1             |      |
|       | 14   | A220047-00 | ZEBRA HOSE CLAMPS             | 40-64x12.7        | 1             |      |
|       | 15   | E150004-02 | TAPPET                        |                   | 4             |      |
|       | 16   | E150005-XX | SHIM TAPPET                   |                   | 4             |      |
|       | 17   | E150010-00 | PLUG,OIL                      |                   | 1             |      |
|       | 18   | E150136-00 | CAP,OIL JET                   |                   | 1             |      |
|       | 19   | E150137-00 | CLIP,OIL JET                  |                   | 1             |      |
|       | 20   | E150012-00 | CYLINDER HEAD COMP            |                   | 1             |      |
|       | 21   | E150119-00 | THERMOSTAT,WATER              | Ø48.5XØ25X82°C    | 1             |      |
|       | 22   | E150122-02 | COVER,THERMOSTAT              | GRAY,PANTONE 430U | 1             |      |
|       | 23   | E150126-41 | COVER                         |                   | 1             |      |
|       | 24   | E150130-00 | BODY,THROTTLE                 | Ø42               | 1             |      |
|       | 25   | E150133-00 | DRIVER GEAR,TIMING CHAIN      |                   | 1             |      |
|       | 26   | E150134-00 | DRIVER GEAR,TIMING CHAIN ASSY |                   | 1             |      |
|       | 27   | E150131-00 | TIMING GEAR                   | 42T               | 1             |      |
|       | 28   | E150048-00 | DRIVER GEAR,TIMING CHAIN      | 48T               | 1             |      |

D2018-032A



CYLINDER HEAD(E.F.I)



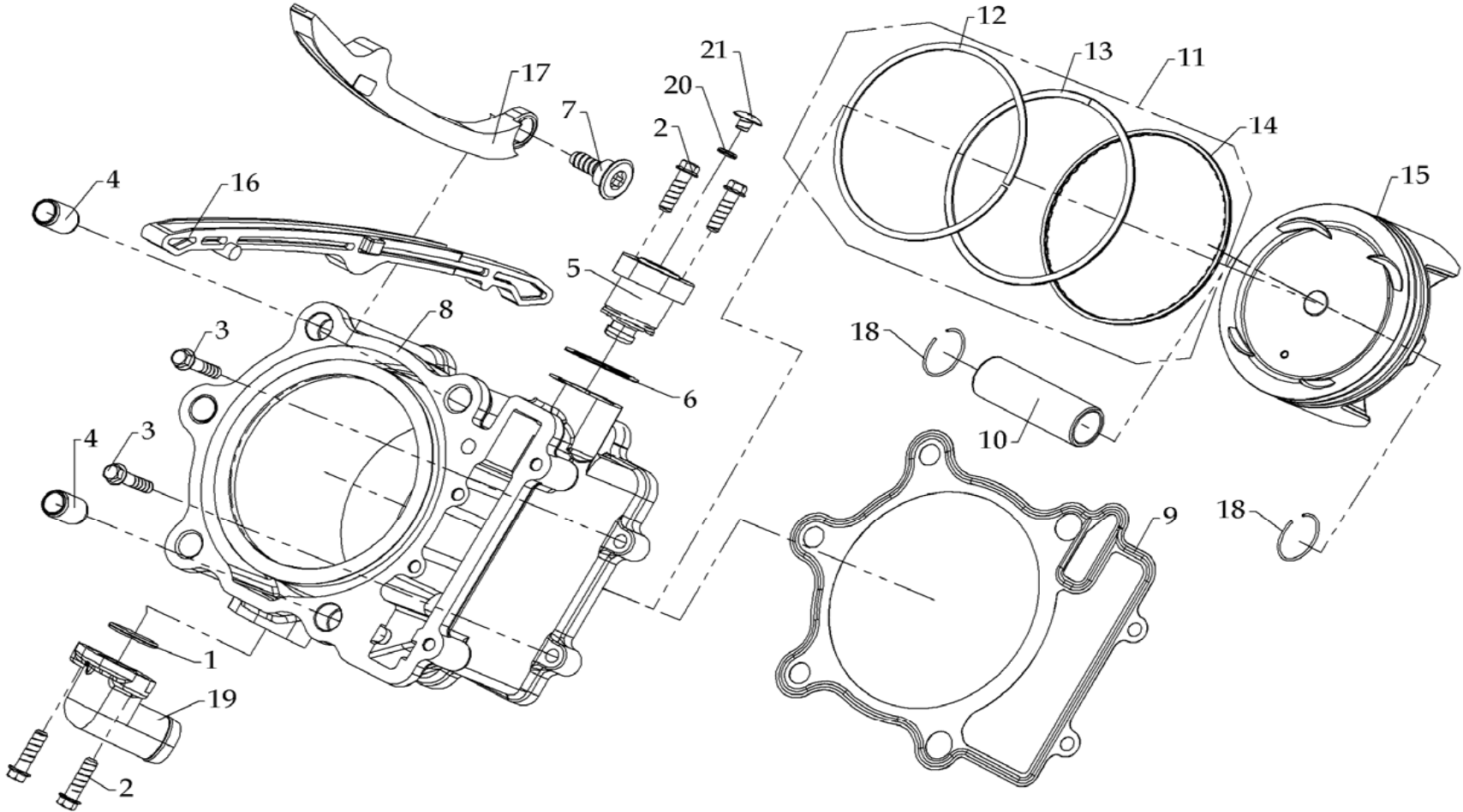
D2018-031A

## CYLINDER HEAD(E.F.I)

| Model | Item | Part no    | Description                 | Specification     | Q'ty of Usage | Note |
|-------|------|------------|-----------------------------|-------------------|---------------|------|
|       | 29   | A020013-00 | BAERING                     | Ø15.9xØ18x18      | 1             |      |
|       | 30   | E150135-00 | CONNECTOR,THROTTLE          |                   | 1             |      |
|       | 31   | E150138-00 | GASKET                      |                   | 1             |      |
|       | 32   | E150141-00 | T-MAP SENEER                |                   | 1             |      |
|       | 33   | E150166-00 | CYLINDER HEAD & VALVE ASSY" |                   | 1             |      |
|       | 34   | A090044-00 | WASHER                      | Ø16.6XØ25.5X0.8   | 4             |      |
|       | 35   | A190116A00 | SUBHARNESS ASSY'            |                   | 1             |      |
|       | 36   | A220049-42 | UNION, HOSE                 |                   | 1             |      |
|       | 37   | E130083-00 | VALVE KEEPER                |                   | 8             |      |
|       | 38   | E150002-00 | INTAKE VALVE                |                   | 2             |      |
|       | 39   | E150003-00 | EXHAUST VALVE               |                   | 2             |      |
|       | 40   | E150008-00 | RETAINER, VALVE SPRING      |                   | 4             |      |
|       | 41   | E150027-00 | VALVE SPRING                |                   | 4             |      |
|       | 42   | E150181A00 | CYLINDER HEAD ASSY"         |                   | 1             |      |
|       | 43   | A030025-01 | SEAL, VALVE STEM            | Ø5.5,VITON        | 4             |      |
|       | 44   | A030041-42 | CAP                         |                   | 2             |      |
|       | 45   | A040025-01 | O RING                      | S12X1.5,VITON     | 4             |      |
|       | 46   | A050121-41 | HEXAGONAL FLANGE BOLT       | M6x1.0X25L        | 6             |      |
|       | 47   | A050122-41 | HEXAGONAL FLANGE BOLT       | M6X1.0X30L        | 2             |      |
|       | 48   | A070018-00 | DOWEL PIN                   | Ø8x14L            | 2             |      |
|       | 49   | A140015-00 | STUD BOLT                   | M8X1.25X35L       | 2             |      |
|       | 50   | E150011A02 | CYLINDER HEAD COMP          | GRAY,PANTONE 430U | 1             |      |
|       | 51   | E150015-00 | GUIDE,EX. VALVE             |                   | 2             |      |
|       | 52   | E150031-00 | GUIDE,IN. VALVE             |                   | 2             |      |
|       | 53   | E150050-00 | SEAT,INTAKE VALAE           |                   | 2             |      |
|       | 54   | E150129-00 | SEAT,EXHAUST VALVE          | EH-8              | 2             |      |
|       | 55   | E150151-00 | COVER, CAMSHAFT             |                   | 1             |      |
|       | 56   | E150169-00 | COOLANT TEMPERATURE         |                   | 1             |      |

D2018-033A

CYLINDER

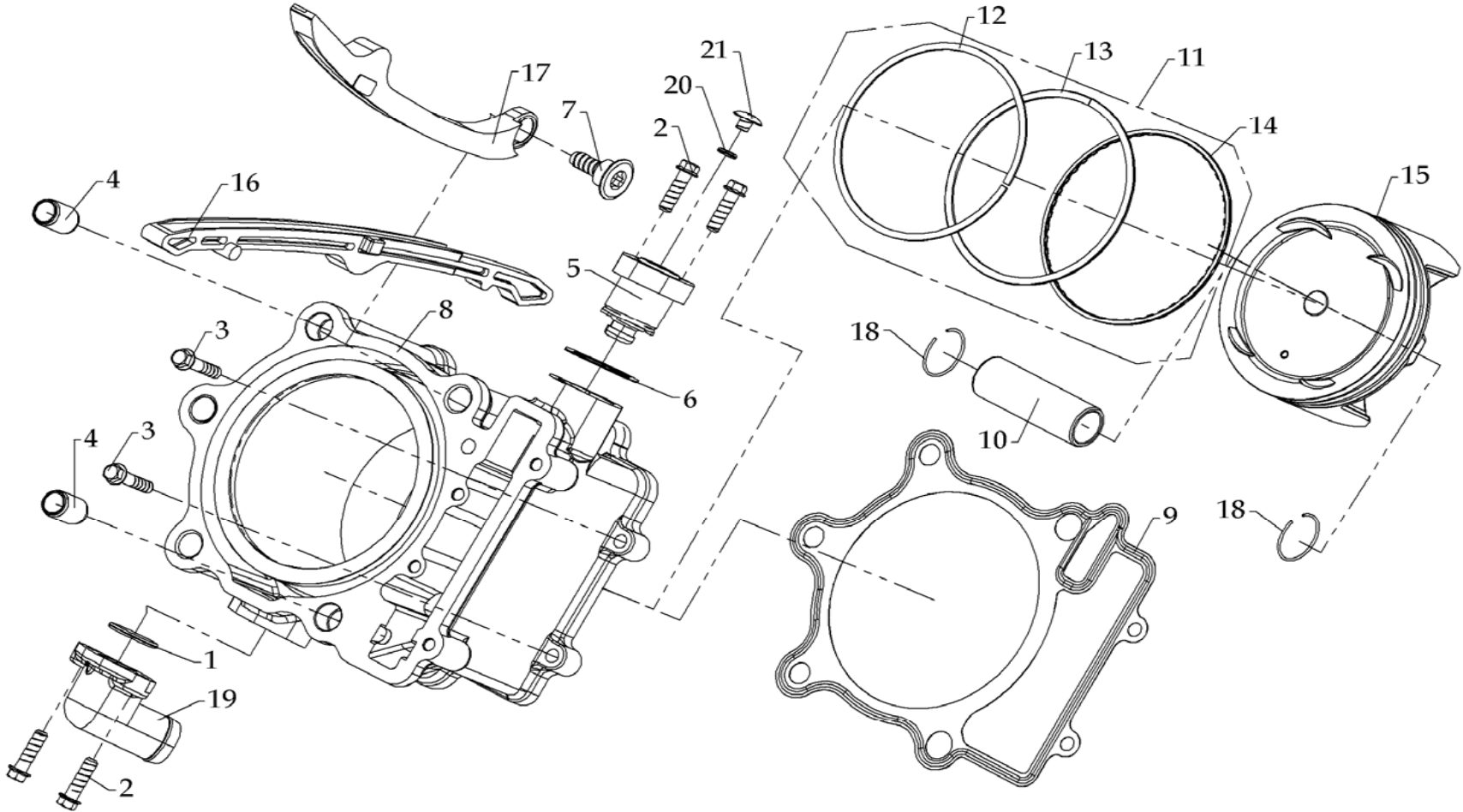


D2018-041A

## CYLINDER

| Model | Item | Part no    | Description              | Specification                 | Q'ty of Usage | Note |
|-------|------|------------|--------------------------|-------------------------------|---------------|------|
|       | 1    | A040049-01 | O RING                   | Ø21XØ2 (VITON)                | 1             |      |
|       | 2    | A050131-41 | HEXAGONAL FLANGE BOLT    | M6x1.0X22L                    | 4             |      |
|       | 3    | A050138-41 | HEX WASHER FACE BOLT     | M6X1.0X28L                    | 2             |      |
|       | 4    | A070047-00 | DOWEL PIN                | Ø10.5XØ14X20L                 | 2             |      |
|       | 5    | E020065-00 | CAM CHAIN TENSIONER      |                               | 1             |      |
|       | 6    | E020066-00 | GASKET, TENSIONER LIFTER |                               | 1             |      |
|       | 7    | E130093-00 | PIVOT,CHAIN TENSIONER    |                               | 1             |      |
| 700   | 8    | E150013B01 | CYLINDER COMP            | 01-A SIZE,GRAY,PANTONE 430U   | 1             |      |
| 700   | *    | E150013B02 | CYLINDER COMP            | 02-B SIZE,GRAY,PANTONE 430U   | 1             |      |
| 600   | *    | E150232-03 | CYLINDER COMP            | Ø92 A SIZE,GRAY,PANTONE 430U  | 1             |      |
| 600   | *    | E150232-04 | CYLINDER COMP            | Ø92 B SIZE,GRAY,PANTONE 430U  | 1             |      |
| 800   | *    | E150225-03 | CYLINDER COMP            | Ø106 A SIZE,GRAY,PANTONE 430U | 1             |      |
| 800   | *    | E150225-04 | CYLINDER COMP            | Ø106 B SIZE,GRAY,PANTONE 430U | 1             |      |
|       | 9    | E150227-00 | GASKET, CYLINDER         |                               | 1             |      |
|       | 10   | E150019-00 | PISTON PIN               |                               | 1             |      |

CYLINDER



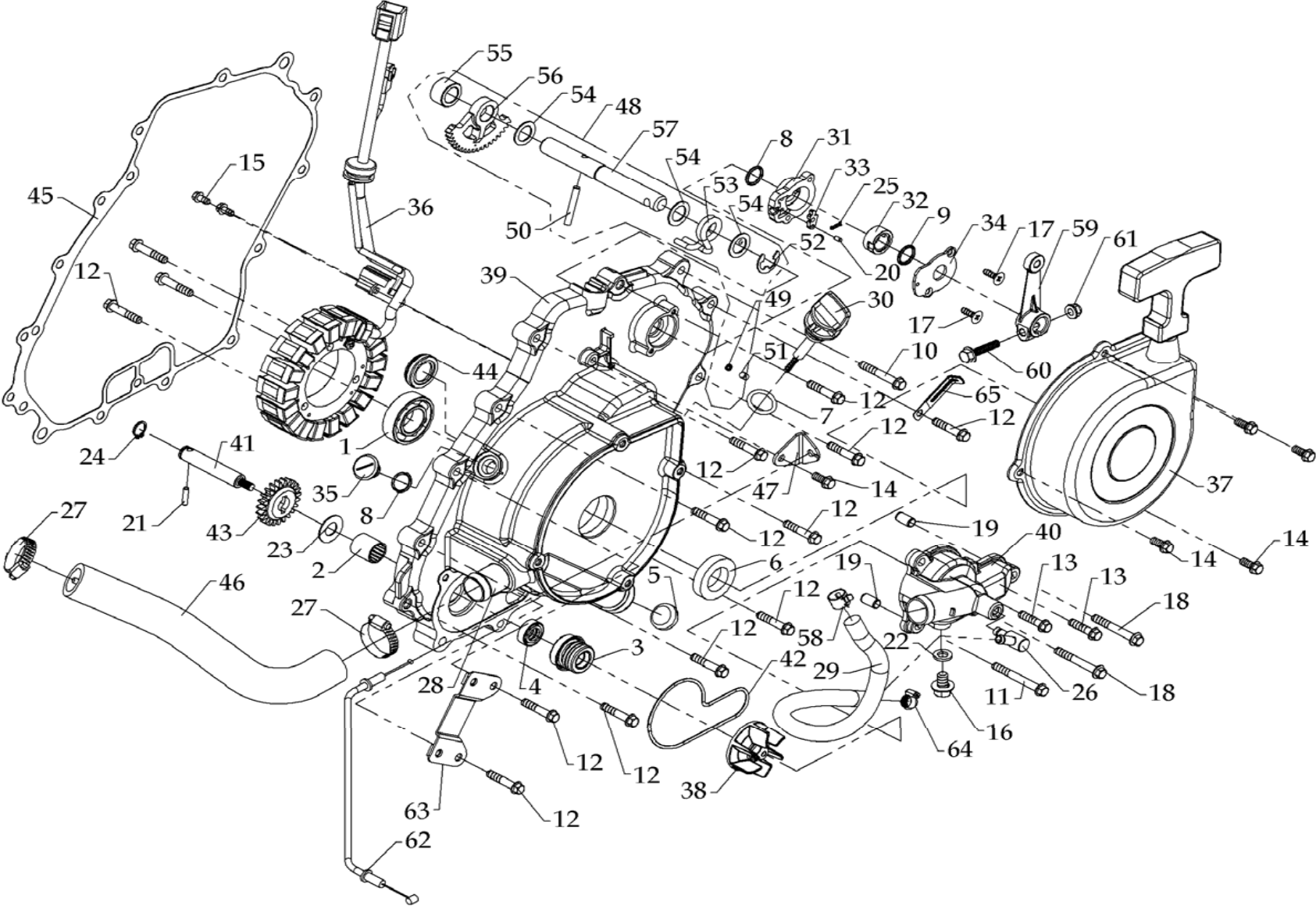
D2018-041A

## CYLINDER

| Model   | Item | Part no    | Description             | Specification     | Q'ty of Usage | Note |
|---------|------|------------|-------------------------|-------------------|---------------|------|
| 700     | 11   | E150023-00 | RING SET, PISTON (STD.) |                   | 1             |      |
| 600     | *    | E150235-00 | RING SET, PISTON (STD.) |                   | 1             |      |
| 800     | *    | E150226-00 | RING SET, PISTON (STD.) |                   | 1             |      |
| 700     | 15   | E150022-01 | PISTON (STD.)           | 01-A SIZE         | 1             |      |
| 700     | *    | E150022-02 | PISTON (STD.)           | 02-B SIZE         | 1             |      |
| 600     | *    | E150234-01 | PISTON (STD.)           | Ø92,A SIZE        | 1             |      |
| 600     | *    | E150234-02 | PISTON (STD.)           | Ø92,B SIZE        | 1             |      |
| 800     | *    | E150228-01 | PISTON (STD.)           | Ø106,A SIZE       | 1             |      |
| 800     | *    | E150228-02 | PISTON (STD.)           | Ø106,B SIZE       | 1             |      |
|         | 16   | E150029-00 | GUIDE,TIMING CHAIN      |                   | 1             |      |
|         | 17   | E150030-00 | TENSIONER,TIMING CHAIN  |                   | 1             |      |
| 700     | 18   | A100041-00 | INTERNAL CIRCLIP        |                   | 2             |      |
| 600,800 | *    | A100047-00 | INTERNAL CIRCLIP        | Ø24.7XØ1.4        | 2             |      |
|         | 19   | E150086-02 | UNION,WATER HOSE        | GRAY,PANTONE 430U | 1             |      |
|         | 20   | A040015-00 | O RING                  | 9.5X1.5           | 1             |      |
|         | 21   | A050148-41 | SCREW                   | M6x1.0X6L         | 1             |      |

D2018-043A

# CRANKCASE



D2018-051A

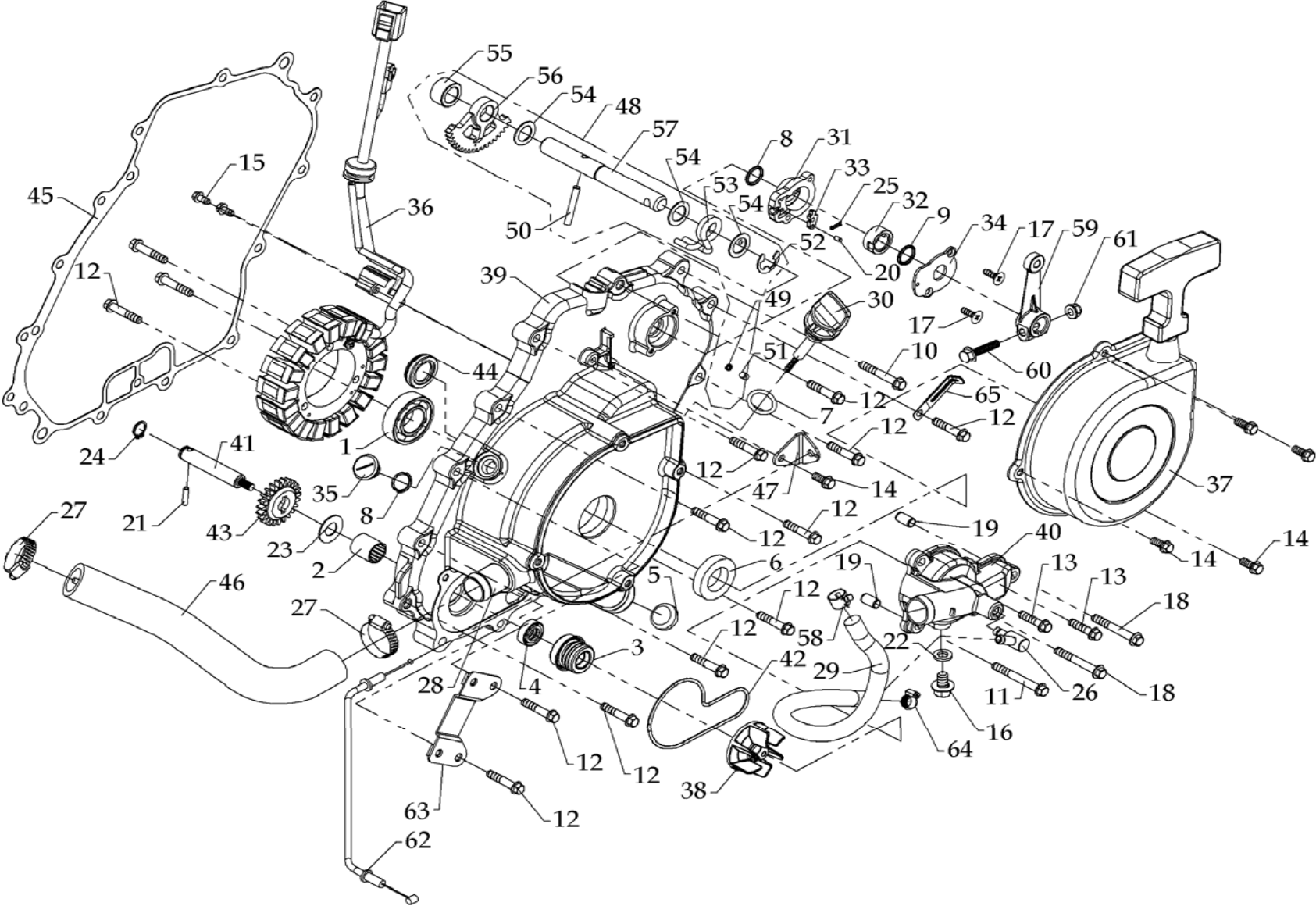
**CRANKCASE**

| Model | Item | Part no    | Description              | Specification | Q'ty of Usage | Note |
|-------|------|------------|--------------------------|---------------|---------------|------|
|       | 1    | A010077-00 | DEEP-GROOVE BALL BEARING | 60/22         | 1             |      |
|       | 2    | A010078-00 | NEEDLE ROLLER BEARING    | HMK1220       | 1             |      |
|       | 3    | A030032-00 | MECHANICAL SEAL COMPL    | EH790         | 1             |      |
|       | 4    | A030027-00 | OIL SEAL                 | TC12x22x7t    | 1             |      |
|       | 5    | A030041-42 | CAP                      |               | 1             |      |
|       | 6    | A030046-00 | OIL SEAL                 | TC 22x38x8    | 1             |      |
|       | 7    | A040020-00 | O RING                   | Ø18XØ3        | 1             |      |
|       | 8    | A040005-00 | O RING                   | P14           | 2             |      |
|       | 9    | A040024-00 | O RING                   | S14           | 1             |      |
|       | 10   | A050069-41 | HEXAGONAL FLANGE BOLT    | M6X1.0X40L    | 1             |      |
|       | 11   | A050070-41 | HEXAGONAL FLANGE BOLT    | M6X1.0X50L    | 1             |      |
|       | 12   | A050122-41 | HEXAGONAL FLANGE BOLT    | M6X1.0X30L    | 14            |      |
|       | 13   | A050121-41 | HEXAGONAL FLANGE BOLT    | M6x1.0X25L    | 2             |      |
|       | 14   | A050137-41 | HEXAGONAL FLANGE BOLT    | M6X1.0X14L    | 5             |      |
|       | 15   | A050149-41 | HEXAGONAL FLANGE BOLT    | M5X0.8X12L    | 2             |      |
|       | 16   | A050169-41 | HEXAGONAL FLANGE BOLT    | M8x1.25x12L   | 1             |      |
|       | 17   | A050175-41 | MACHINE SCREW            | M4x0.7x15L    | 2             |      |
|       | 18   | A050249-41 | HEXAGONAL FLANGE BOLT    | M6x1.0x45L    | 2             |      |
|       | 19   | A070018-00 | DOWEL PIN                | Ø8x14L        | 2             |      |
|       | 20   | A070030-00 | PIN                      | Ø3x6L         | 1             |      |
|       | 21   | A070041-00 | PIN , NEEDLE ROLLER      | Ø4X15.8L      | 1             |      |
|       | 22   | A080120-00 | SPACER                   | Ø8.2XØ14.5X2t | 1             |      |
|       | 23   | A090063-00 | WASHER                   | Ø12.2XØ25X2t  | 1             |      |
|       | 24   | A100023-43 | CIRCLIP,C TYPE           | Ø12           | 1             |      |
|       | 25   | A110032-41 | SPRING,COMPRESSION       | Ø3x10L        | 1             |      |
|       | 26   | A220054-41 | BREATHER TUBE CONNECTOR  |               | 1             |      |

D2018-052A



# CRANKCASE



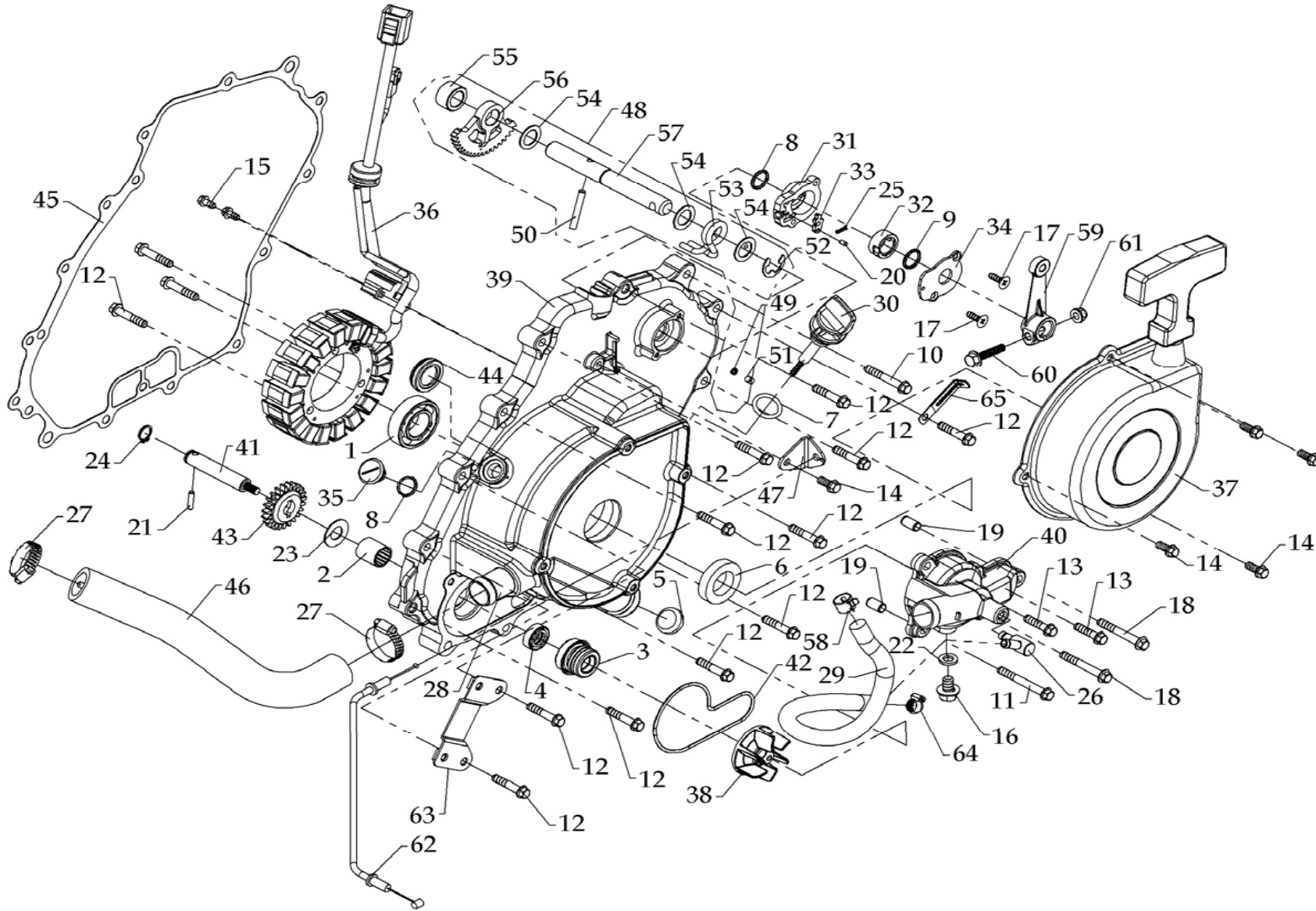
D2018-051A

**CRANKCASE**

| <b>Model</b> | <b>Item</b> | <b>Part no</b> | <b>Description</b>   | <b>Specification</b> | <b>Q'ty of Usage</b> | <b>Note</b> |
|--------------|-------------|----------------|----------------------|----------------------|----------------------|-------------|
|              | 27          | A220048-00     | ZEBRA HOSE CLAMPS    | 19-38x8.0            | 2                    |             |
|              | 28          | A220043-41     | UNION,WATER HOSE     |                      | 1                    |             |
|              | 29          | A220052-00     | TUBE                 | Ø7.3XØ13.5X400L      | 1                    |             |
|              | 30          | E020074-00     | OIL LEVEL GAUGE      |                      | 1                    |             |
|              | 31          | E130060-00     | REVERS SWITCH DEVICE |                      | 1                    |             |
|              | 32          | E130061-00     | RATCH                |                      | 1                    |             |
|              | 33          | E130062-00     | STOPPER              |                      | 1                    |             |
|              | 34          | E130063-00     | COVER                |                      | 1                    |             |
|              | 35          | E130104-00     | TIMING SCREEN COVER  |                      | 1                    |             |
|              | 36          | E150084A00     | STATOR ASSY,MAGNETO  |                      | 1                    |             |
|              | 37          | E150108-00     | STARTER ASSY,RECOIL  |                      | 1                    |             |
|              | 38          | E150109-00     | IMPELLER             |                      | 1                    |             |
|              | 39          | E150110B02     | COVER, L.            | GRAY,PANTONE 430U    | 1                    |             |
|              | 40          | E150111-02     | COVER,VANE PUMP      | GRAY,PANTONE 430U    | 1                    |             |
|              | 41          | E150113-00     | SHAFT,VANE PUMP      |                      | 1                    |             |
|              | 42          | E150114-00     | SEAL,VANE PUMP       |                      | 1                    |             |
|              | 43          | E150115-00     | GEAR,VANE PUMP       |                      | 1                    |             |
|              | 44          | E150120-00     | GAUGE,LEVEL          | Ø30X12.8             | 1                    |             |
|              | 45          | E150124-00     | GASKET, L. COVER     |                      | 1                    |             |
|              | 46          | E150128-00     | PIPE,COOLING         |                      | 1                    |             |
|              | 47          | E150154-00     | HOLDER,WIRE          |                      | 1                    |             |

D2018-053A

# CRANKCASE



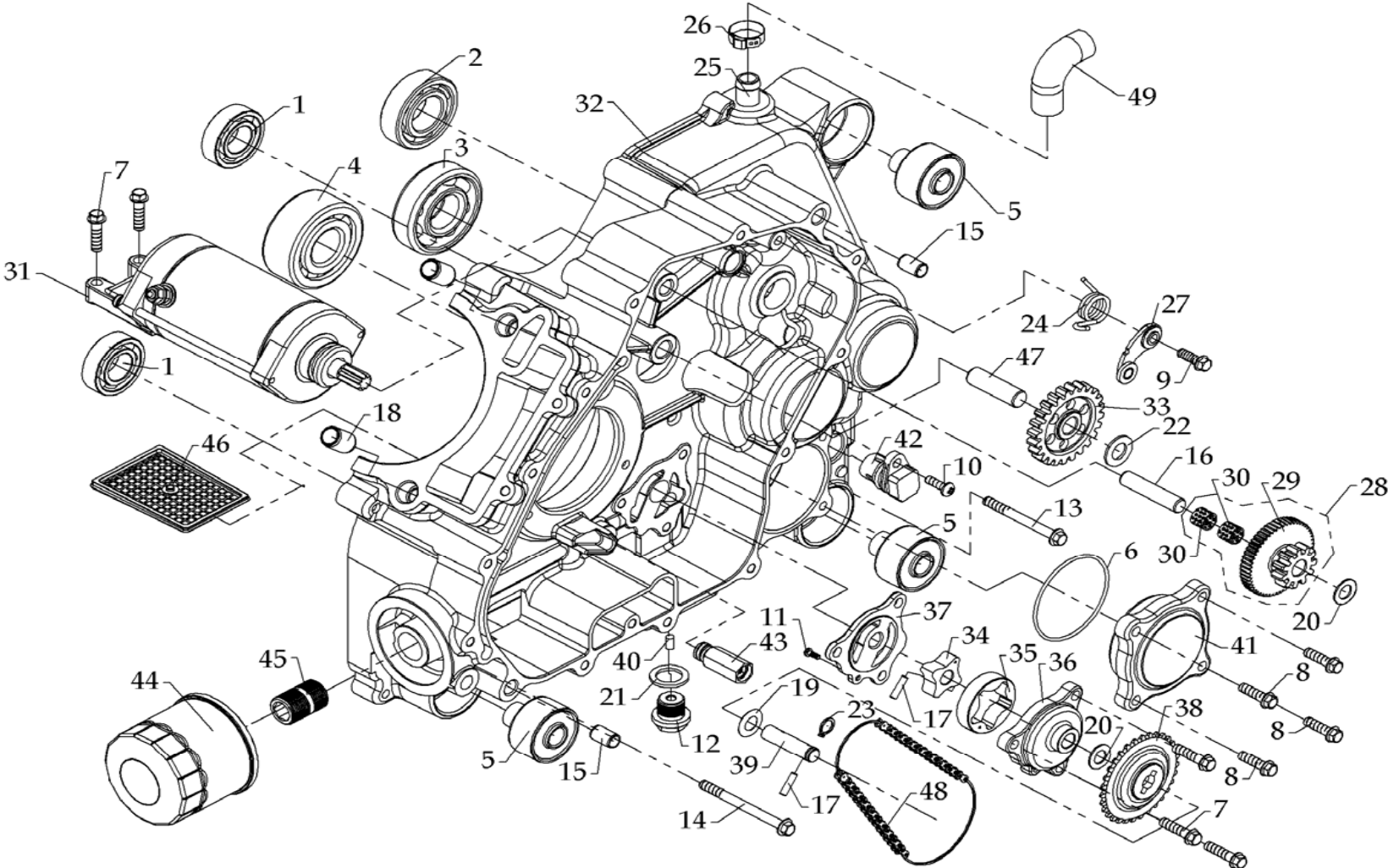
D2018-051A

**CRANKCASE**

| <b>Model</b> | <b>Item</b> | <b>Part no</b> | <b>Description</b>     | <b>Specification</b> | <b>Q'ty of Usage</b> | <b>Note</b> |
|--------------|-------------|----------------|------------------------|----------------------|----------------------|-------------|
|              | 48          | E150156A00     | GEARSHTFT SHAFT ASSY.  |                      | 1                    |             |
|              | 49          | A040032-00     | O RING                 | S3                   | 1                    |             |
|              | 50          | A070026-00     | PIN                    | Ø5X35L               | 1                    |             |
|              | 51          | A070036-00     | PIN                    | Ø5X6.67L             | 1                    |             |
|              | 52          | A100020-00     | RETAINING RINGS E TYPE | Ø12                  | 1                    |             |
|              | 53          | A110065-00     | TORSION SPRING         |                      | 1                    |             |
|              | 54          | A080005-41     | SPACER                 | Ø14.2xØ22x1t         | 3                    |             |
|              | 55          | A090038-00     | SPACER                 | Ø14XØ22X12.5L        | 1                    |             |
|              | 56          | E150100A00     | GEAR, GEARSHIFT        |                      | 1                    |             |
|              | 57          | E150155A00     | SHAFT, GEARSHIFT       |                      | 1                    |             |
|              | 58          | F020196-00     | CLAMP                  | 12X0.8               | 1                    |             |
|              | 59          | E150162-00     | LEVER , GEAR SHIFT     |                      | 1                    |             |
|              | 60          | A050274-41     | HEX WASHER FACE BOLT   | M6X1.0X30L           | 1                    |             |
|              | 61          | A060053-41     | HEX INSERT LOCK NUT    | M6x1.0               | 1                    |             |
|              | 62          | F210062-00     | REVERSE SWITCH CABLE   |                      | 1                    |             |
|              | 63          | E150193-50     | BRACKET                |                      | 1                    |             |
|              | 64          | A220060-00     | ZEBRA HOSE CLAMPS      | 10-16X8              | 1                    |             |
|              | 65          | A220021-00     | CLIP                   |                      | 1                    |             |

D2018-054A

**CRANKCASE L.**



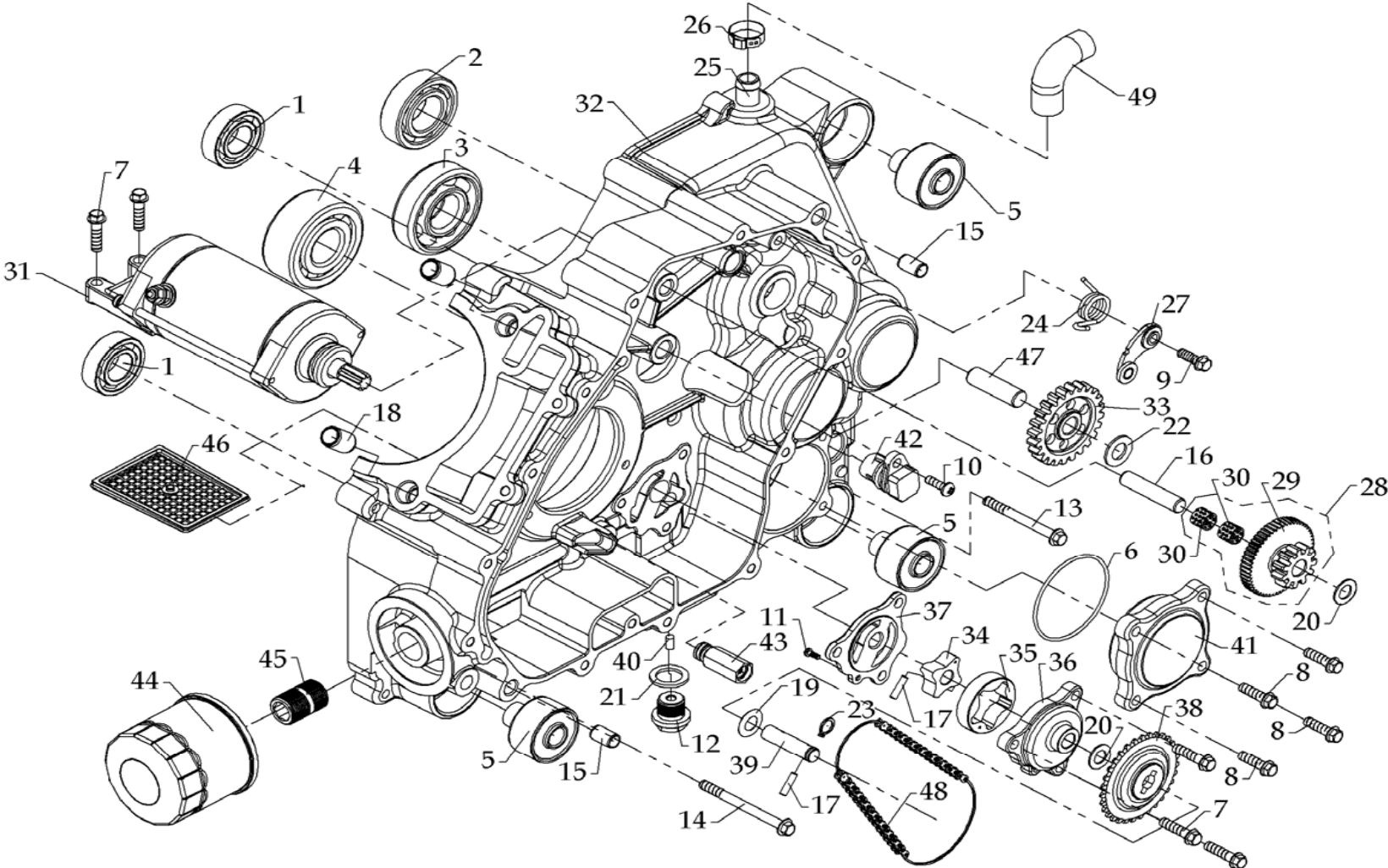
D2018-061A

**CRANKCASE L.**

| <b>Model</b> | <b>Item</b> | <b>Part no</b> | <b>Description</b>            | <b>Specification</b> | <b>Q'ty of Usage</b> | <b>Note</b> |
|--------------|-------------|----------------|-------------------------------|----------------------|----------------------|-------------|
|              | 1           | A010025-00     | DEEP-GROOVE BALL BEARING      | 6004                 | 2                    |             |
|              | 2           | A010045-00     | DEEP-GROOVE BALL BEARING      | 6205                 | 1                    |             |
|              | 3           | A010065-00     | DEEP-GROOVE BALL BEARING      | 6305                 | 1                    |             |
|              | 4           | A010071-00     | BALL BEARING                  | 5305;Ø25XØ62X25.4t   | 1                    |             |
|              | 5           | A020012-00     | BUSHING                       |                      | 3                    |             |
|              | 6           | A040047-00     | O RING                        | Ø59X2.0              | 1                    |             |
|              | 7           | A050121-41     | HEXAGONAL FLANGE BOLT         | M6x1.0X25L           | 5                    |             |
|              | 8           | A050131-41     | HEXAGONAL FLANGE BOLT         | M6x1.0X22L           | 4                    |             |
|              | 9           | A050132-41     | HEXAGONAL FLANGE BOLT         | M6x1.0X18L           | 1                    |             |
|              | 10          | A050156-41     | PANHEAD SCREW & SPRING WASHER | M6x1.0x16L           | 1                    |             |
|              | 11          | A050207-41     | SCREW                         | M3x0.5x8L            | 1                    |             |
|              | 12          | A050243-41     | BOLT,DRAIN                    | M16X1.5X13L-6T       | 1                    |             |
|              | 13          | A050248-41     | HEXAGONAL FLANGE BOLT         | M6x1.0x60L           | 1                    |             |
|              | 14          | A050250-41     | HEXAGONAL FLANGE BOLT         | M6x1.0x70L           | 1                    |             |
|              | 15          | A070019-00     | DOWEL PIN                     | Ø10X16L              | 2                    |             |
|              | 16          | E150026-00     | PIN,STARTER IDEL GEAR         |                      | 1                    |             |
|              | 17          | A070041-00     | PIN , NEEDLE ROLLER           | Ø4X15.8L             | 2                    |             |
|              | 18          | A070047-00     | DOWEL PIN                     | Ø10.5xØ14x20L        | 2                    |             |
|              | 19          | A080099-00     | SPRING WASHER                 | Ø10.2XØ20X0.3t       | 1                    |             |
|              | 20          | A080114-00     | SPACER                        | Ø10.2XØ18X1.0t       | 2                    |             |
|              | 21          | A080115-00     | WASHER,DRAIN                  | Ø16.2XØ23.5X2.0t     | 1                    |             |
|              | 22          | A090042-00     | WASHER                        | Ø12.2XØ22X1.5t       | 1                    |             |
|              | 23          | A100015-43     | CIRCLIP,C TYPE                | Ø10                  | 1                    |             |
|              | 24          | A110063-00     | TORSION SPRING                |                      | 1                    |             |
|              | 25          | A220044-41     | UNION, HOSE                   |                      | 1                    |             |
|              | 26          | A220045-41     | CLAMP                         | 18~20.8X7            | 1                    |             |
|              | 27          | E030001-00     | STOPPER,SHIFT CAM             |                      | 1                    |             |
|              | 28          | E130059A00     | STARTER REDUCTION ASSY.       |                      | 1                    |             |

D2018-062A

**CRANKCASE L.**



D2018-061A

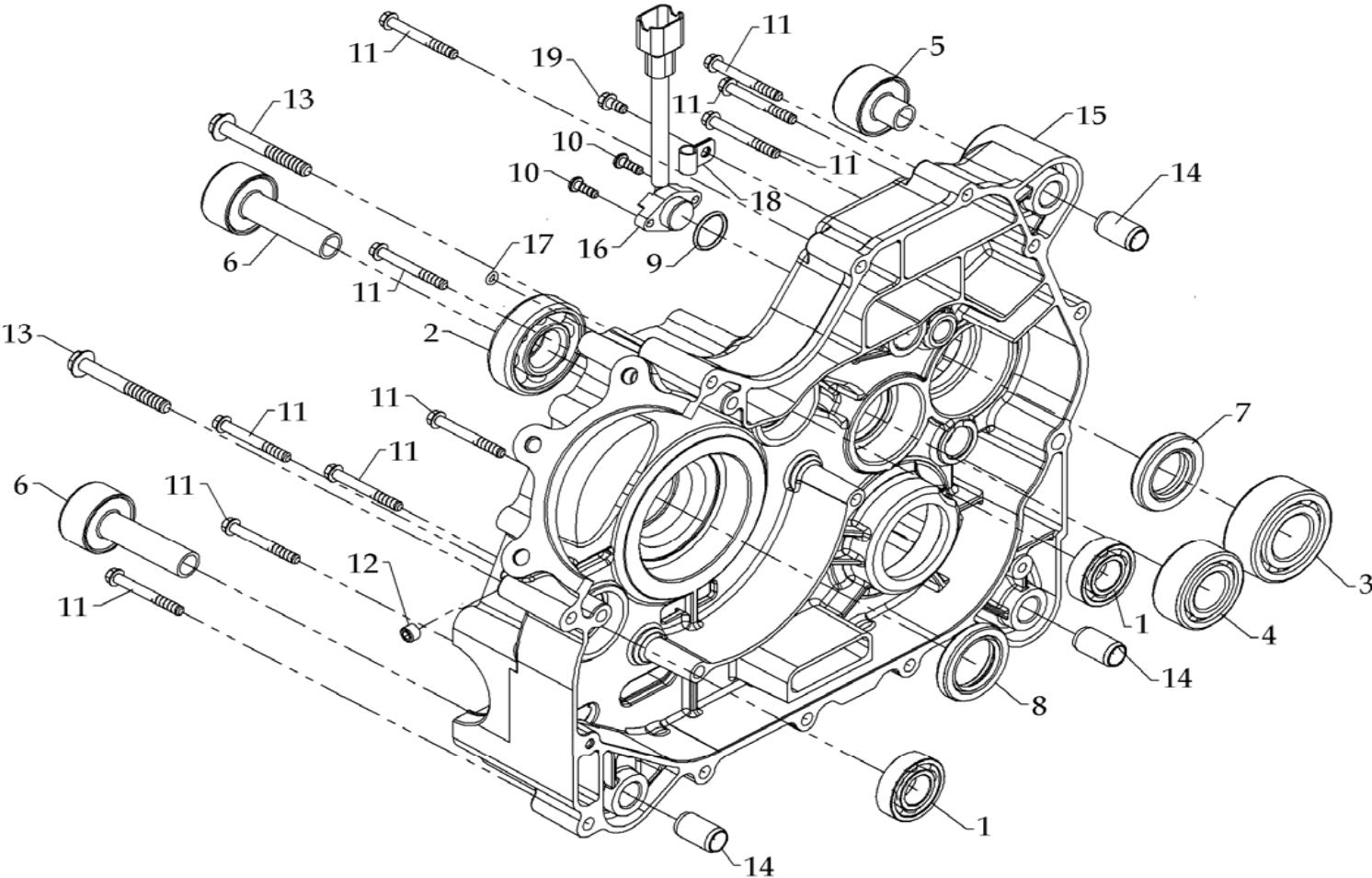
**CRANKCASE L.**

| <b>Model</b> | <b>Item</b> | <b>Part no</b> | <b>Description</b>       | <b>Specification</b> | <b>Q'ty of Usage</b> | <b>Note</b> |
|--------------|-------------|----------------|--------------------------|----------------------|----------------------|-------------|
|              | 29          | E130045A00     | GEAR, STARTER REDUCTION  |                      | 1                    |             |
|              | 30          | A020004-00     | BUSH,BAERING             | Ø10xØ12x10t          | 2                    |             |
|              | 31          | E150006-00     | STARTER MOTOR ASSY.      |                      | 1                    |             |
|              | 32          | E150016D02     | CRANKCASE L.             | GRAY,PANTONE 430U    | 1                    |             |
|              | 33          | E150025-00     | GEAR,STARTER IDEL        |                      | 1                    |             |
|              | 34          | E150089A00     | INTERNAL ROTOR,OIL PUMP  |                      | 1                    |             |
|              | 35          | E150090-00     | EXTERNAT ROTOR,OIL PUMP  |                      | 1                    |             |
|              | 36          | E150091-00     | BUDY,OIL PUMP            |                      | 1                    |             |
|              | 37          | E150093-00     | COVER,OIL PUMP           |                      | 1                    |             |
|              | 38          | E150094A00     | SPROCKET,OIL PUMP DRIVEN |                      | 1                    |             |
|              | 39          | E150095A00     | SHAFT,OIL PUMP           |                      | 1                    |             |
|              | 40          | E150097-00     | MAGNET                   | Ø5X8.5L              | 1                    |             |
|              | 41          | E150112-02     | COVER,OUTPUT SHAFT       | GRAY,PANTONE 430U    | 1                    |             |
|              | 42          | E150117-00     | SENSOR,SPEED             |                      | 1                    |             |
|              | 43          | E150118-00     | VALVE,RELIEF             | 5KGXM12X1.25         | 1                    |             |
|              | 44          | E150121-00     | FILTER,ENGINE OIL        | Ø72XM20X1.5          | 1                    |             |
|              | 45          | E150127-44     | UNION,WATER HOSE         | M20X30.5L            | 1                    |             |
|              | 46          | E150146-00     | STRAINER,ENGINE OIL      |                      | 1                    |             |
|              | 47          | E150153-00     | SHAFT,STARTER IDEL       |                      | 1                    |             |
|              | 48          | E150165-00     | CHAIN                    | 60 LINKS             | 1                    |             |
|              | 49          | F210047-00     | TUBE                     |                      | 1                    |             |

D2018-063A



**CRANKCASE R.**



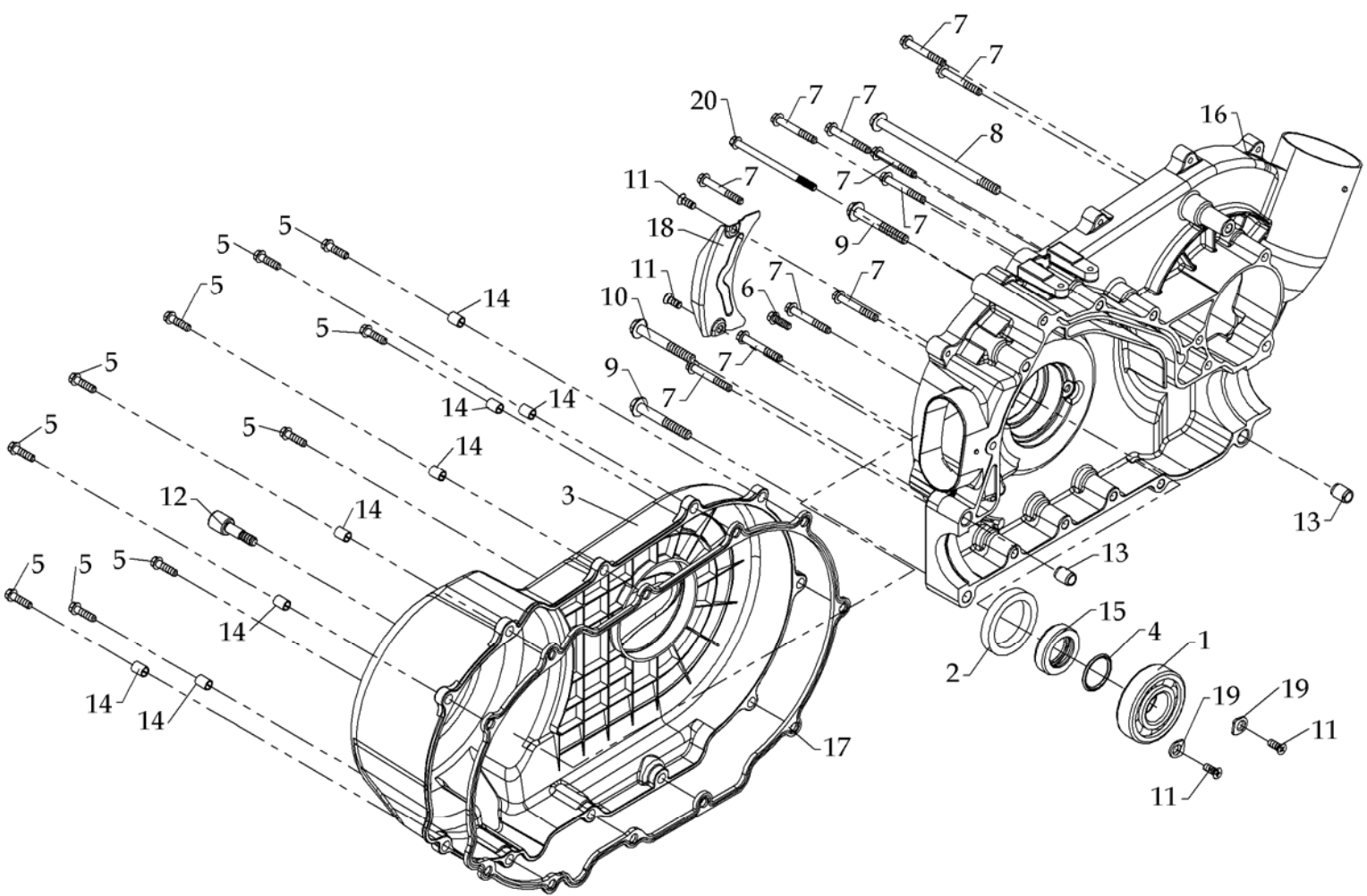
D2018-071A

**CRANKCASE R.**

| Model | Item | Part no    | Description                              | Specification      | Q'ty of Usage | Note |
|-------|------|------------|--|--------------------|---------------|------|
|       | 1    | A010025-00 | DEEP-GROOVE BALL BEARING                 | 6004               | 2             |      |
|       | 2    | A010065-00 | DEEP-GROOVE BALL BEARING                 | 6305               | 1             |      |
|       | 3    | A010072-00 | DOUBLE-ROW ANGULAR CONTACT BALL BEARINGS | 5206;Ø30XØ62X23.8t | 1             |      |
|       | 4    | A010070-03 | DOUBLE-ROW ANGULAR CONTACT BALL BEARINGS | 5205LU             | 1             |      |
|       | 5    | A020012-00 | BUSHING                                  |                    | 1             |      |
|       | 6    | A020015-00 | BUSHING                                  |                    | 2             |      |
|       | 7    | A030042-00 | OIL SEAL                                 | TB 30X50X8         | 1             |      |
|       | 8    | A030043-00 | OIL SEAL                                 | TB 35X50X8         | 1             |      |
|       | 9    | A040012-00 | O RING                                   | P21(Ø21xØ2.4)      | 1             |      |
|       | 10   | A050035-41 | SCREW                                    | M5X0.8X14L         | 2             |      |
|       | 11   | A050070-41 | HEXAGONAL FLANGE BOLT                    | M6X1.0X50L         | 10            |      |
|       | 12   | A050238-43 | SCREW HEXAGONAL SOCKET                   | PT1/8              | 1             |      |
|       | 13   | A050253-41 | HEXAGONAL FLANGE BOLT                    | M8X1.25X65L        | 2             |      |
|       | 14   | A070046-00 | DOWEL PIN                                | Ø12.5xØ16x28L      | 3             |      |
|       | 15   | E150017D02 | CRANKCASE R.                             | GRAY,PANTONE 430U  | 1             |      |
|       | 16   | E150107-00 | INDICATOR,GEAR SHIFT                     |                    | 1             |      |
|       | 17   | A040051-01 | O RING                                   | P5-Ø4.8XØ1.9       | 1             |      |
|       | 18   | F150134-00 | FIXED PLATE                              |                    | 1             |      |
|       | 19   | A050129-41 | HEXAGONAL FLANGE BOLT                    | M6X1.0X12L         | 1             |      |

D2018-072A

# RIGHT CRANKCASE COVER



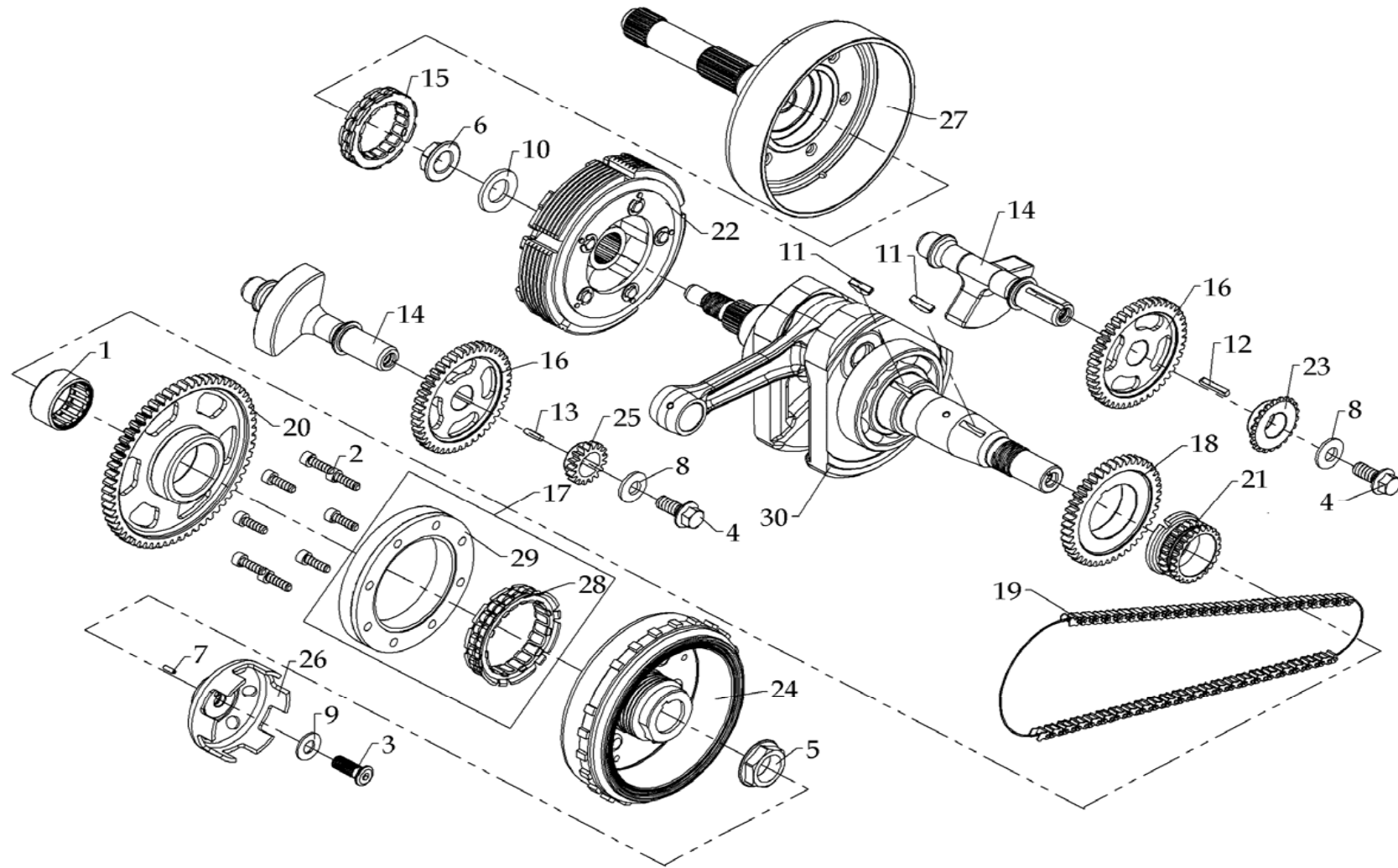
D2018-081A

## RIGHT CRANKCASE COVER

| Model | Item | Part no    | Description              | Specification     | Q'ty of Usage | Note |
|-------|------|------------|--------------------------|-------------------|---------------|------|
|       | 01   | A010068-00 | DEEP-GROOVE BALL BEARING | 63/28;Ø28XØ68X18t | 1             |      |
|       | 02   | A030050-00 | OIL SEAL                 | TC45x60x9         | 1             |      |
|       | 03   | E150233-00 | COVER, C.V.T.            |                   | 1             |      |
|       | 04   | A040048-00 | O RING                   | P28(Ø27.7XØ3.5)   | 1             |      |
|       | 05   | A050131-41 | HEXAGONAL FLANGE BOLT    | M6x1.0X22L        | 10            |      |
|       | 06   | A050132-41 | HEXAGONAL FLANGE BOLT    | M6x1.0X18L        | 1             |      |
|       | 07   | A050249-41 | HEXAGONAL FLANGE BOLT    | M6x1.0x45L        | 11            |      |
|       | 08   | A050251-41 | HEXAGONAL FLANGE BOLT    | M8x1.25x145L      | 1             |      |
|       | 09   | A050252-41 | HEXAGONAL FLANGE BOLT    | M8x1.25x60L       | 2             |      |
|       | 10   | A050253-41 | HEXAGONAL FLANGE BOLT    | M8x1.25x65L       | 1             |      |
|       | 11   | A050255-41 | HEXAGONAL FLANGE BOLT    | M6x15L            | 4             |      |
|       | 12   | A050257-42 | BOLT,DRAIN               | M8x1.25x13L       | 1             |      |
|       | 13   | A070008-00 | DOWEL PIN                | Ø12x16l           | 2             |      |
|       | 14   | A090036-41 | BUSHING                  |                   | 10            |      |
|       | 15   | E150072-00 | SPACER                   |                   | 1             |      |
|       | 16   | E150080A02 | R.COVER,CRANKCASE        | GRAY,PANTONE 430U | 1             |      |
|       | 17   | E150088-00 | SEAL,COVER C.V.T         |                   | 1             |      |
|       | 18   | E150145-00 | PLATE                    |                   | 1             |      |
|       | 19   | E150160-00 | RETAINER,BEARING         |                   | 2             |      |
|       | 20   | A050126-41 | HEXAGONAL FLANGE BOLT    | M6x1.0X95L        | 1             |      |

D2018-082A

# CRANKSHAFT

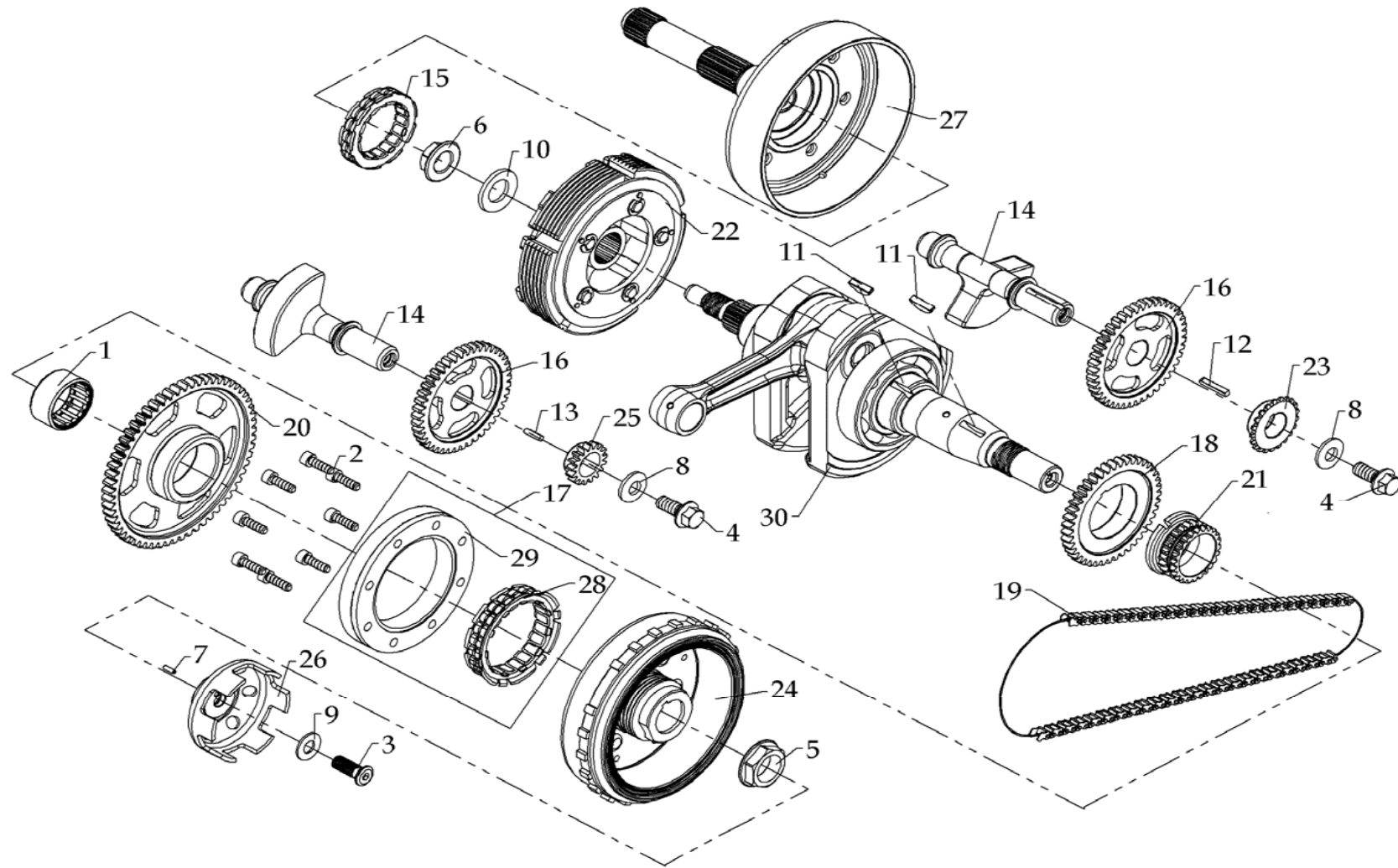


D2018-091A

## CRANKSHAFT

| Model | Item | Part no    | Description              | Specification | Q'ty of Usage | Note |
|-------|------|------------|--------------------------|---------------|---------------|------|
|       | 01   | A010076-00 | NEEDLE ROLLER BEARING    | HK3520        | 1             |      |
|       | 02   | A050286-41 | HEX SOCKET BOLT          | M6X1.0X20L    | 8             |      |
|       | 03   | A050203A41 | HEX SOCKET BOLT          | M10X1.25X26L  | 1             |      |
|       | 04   | A050246-41 | HEXAGONAL FLANGE BOLT    | M10x1.25x25L  | 2             |      |
|       | 05   | A060071-41 | FLANGE HEAX NUT          | M24X1.5       | 1             |      |
|       | 06   | A060077-41 | FLANGE HEAX NUT          | M18X1.5-LH    | 1             |      |
|       | 07   | A070043-00 | PIN , NEEDLE ROLLER      | Ø3X9.8L       | 1             |      |
|       | 08   | A080029-00 | WASHER,CONICAL SPRING    | Ø24xØ10.5     | 2             |      |
|       | 09   | A080033-41 | SPACER                   | Ø10.4xØ22x1.6 | 1             |      |
|       | 10   | A080112-00 | SPRING WASHER            | Ø19XØ34X3t    | 1             |      |
|       | 11   | A120005-00 | KEY WOODRUFF             | Ø22X5t        | 2             |      |
|       | 12   | A120008-00 | KEY                      | 4X4X25        | 1             |      |
|       | 13   | A120009-00 | KEY                      | 4X4X15        | 1             |      |
|       | 14   | E150001-00 | SHAFT,BALANCE            |               | 2             |      |
|       | 15   | E150020-00 | ONE WAY CLUTCH           | 45.848        | 1             |      |
|       | 16   | E150021-00 | GEAR,BALANCE             |               | 2             |      |
|       | 17   | E150024-00 | ONE WAY CLUTCH ASSY.     |               | 1             |      |
|       | 18   | E150032-00 | DRIVE GEAR,BALANCE SHAFT |               | 1             |      |
|       | 19   | E150037-00 | CHAIN, TIMING            | 128 LINKS     | 1             |      |
|       | 20   | E150046A00 | GEAR,STARTER             |               | 1             |      |
|       | 21   | E150047-00 | DRIVER GEAR,TIMING CHAIN | 24T           | 1             |      |
|       | 22   | E150051-00 | CLUTCH ASSY,SHOE         |               | 1             |      |
|       | 23   | E150075-00 | DRIVE SPROCKET OIL PUMP  |               | 1             |      |

# CRANKSHAFT



D2018-091A

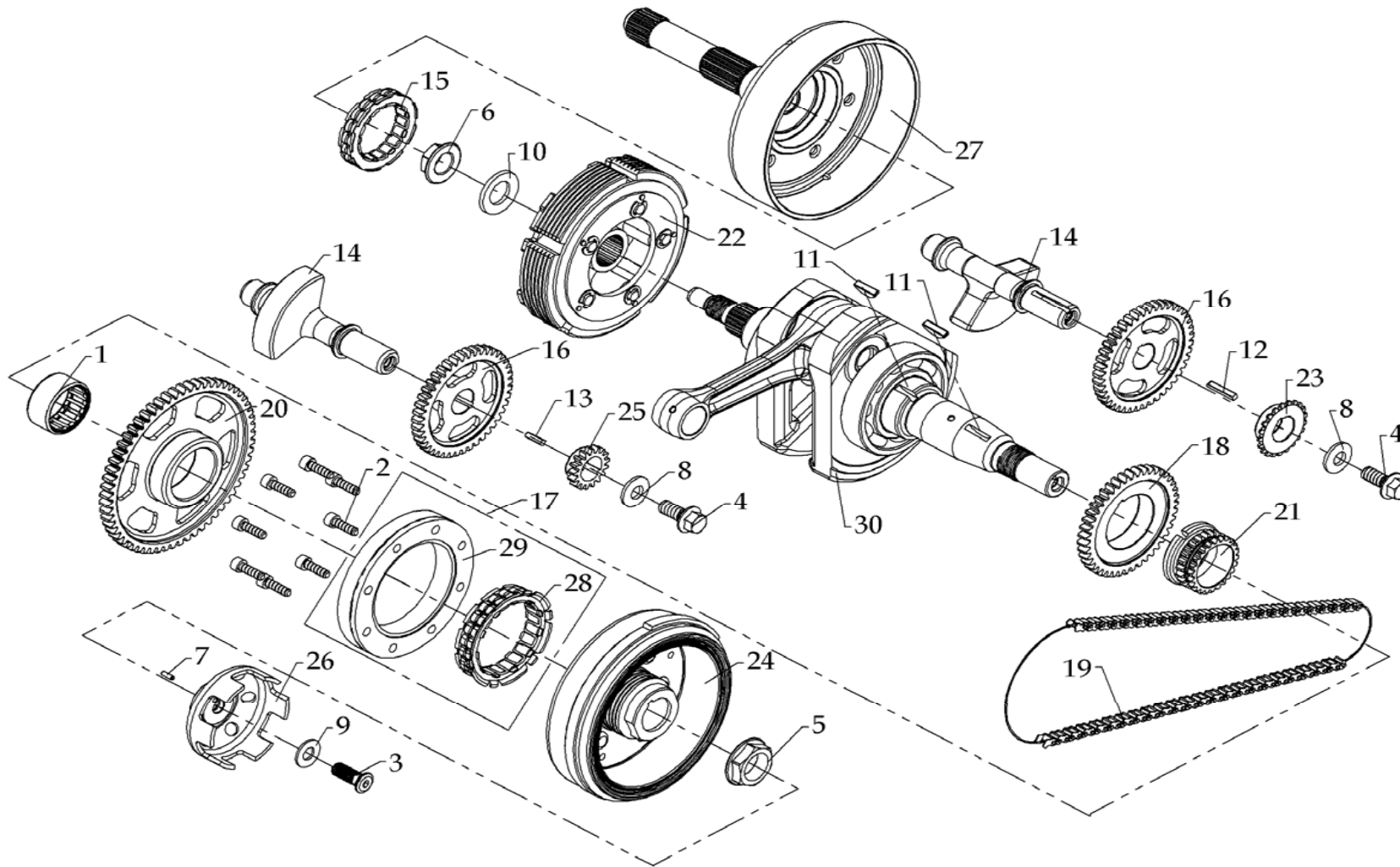
## CRANKSHAFT

| Model | Item | Part no    | Description          | Specification | Q'ty of Usage | Note |
|-------|------|------------|----------------------|---------------|---------------|------|
|       | 24   | E150083A00 | ROTOR ASSY,MAGNETO   | EFT           | 1             |      |
|       | 25   | E150116-00 | DRIVE GEAR,VANE PUMP |               | 1             |      |
|       | 26   | E150140-42 | CUP,STARTER          |               | 1             |      |
|       | 27   | E150066-00 | HOUSING,CLUTCH       |               | 1             |      |
|       | 30   | E150076C00 | CRANKSHAFT ASSY      |               | 1             |      |

D2018-093A



# CRANKSHAFT(CARBURETOR)

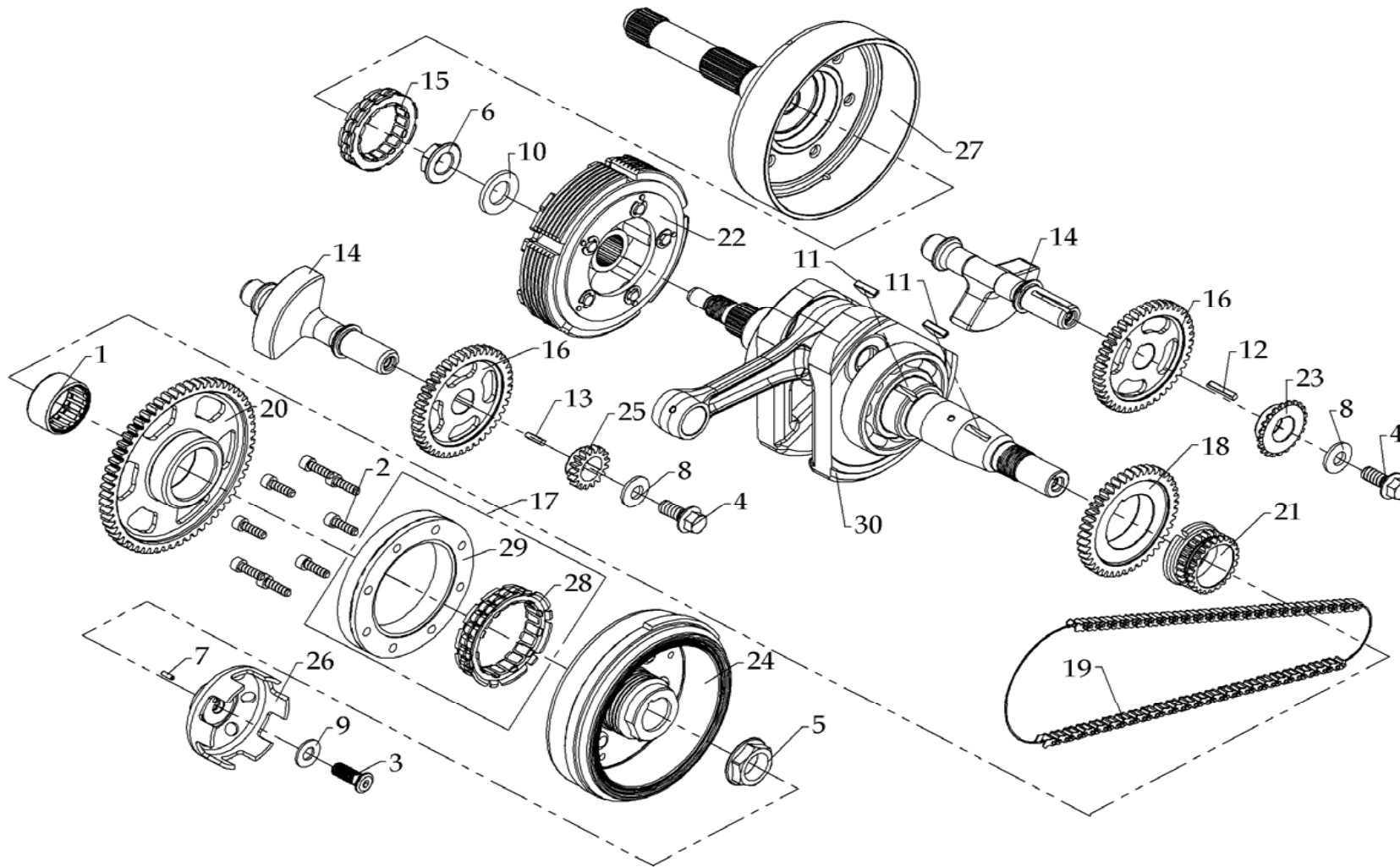


D2018-101A

**CRANKSHAFT(CARBURETOR)**

| <b>Model</b> | <b>Item</b> | <b>Part no</b> | <b>Description</b>       | <b>Specification</b> | <b>Q'ty of Usage</b> | <b>Note</b> |
|--------------|-------------|----------------|--------------------------|----------------------|----------------------|-------------|
|              | 01          | A010076-00     | NEEDLE ROLLER BEARING    | HK3520               | 1                    |             |
|              | 02          | A050286-41     | HEX SOCKET BOLT          | M6X1.0X20L           | 8                    |             |
|              | 03          | A050203A41     | HEX SOCKET BOLT          | M10X1.25X26L         | 1                    |             |
|              | 04          | A050246-41     | HEXAGONAL FLANGE BOLT    | M10x1.25x25L         | 2                    |             |
|              | 05          | A060071-41     | FLANGE HEAX NUT          | M24X1.5              | 1                    |             |
|              | 06          | A060077-41     | FLANGE HEAX NUT          | M18X1.5-LH           | 1                    |             |
|              | 07          | A070043-00     | PIN , NEEDLE ROLLER      | Ø3X9.8L              | 1                    |             |
|              | 08          | A080029-00     | WASHER,CONICAL SPRING    | Ø24xØ10.5            | 2                    |             |
|              | 09          | A080033-41     | SPACER                   | Ø10.4xØ22x1.6        | 1                    |             |
|              | 10          | A080112-00     | SPRING WASHER            | Ø19XØ34X3t           | 1                    |             |
|              | 11          | A120005-00     | KEY WOODRUFF             | Ø22X5t               | 2                    |             |
|              | 12          | A120008-00     | KEY                      | 4X4X25               | 1                    |             |
|              | 13          | A120009-00     | KEY                      | 4X4X15               | 1                    |             |
|              | 14          | E150001-00     | SHAFT,BALANCE            |                      | 2                    |             |
|              | 15          | E150020-00     | ONE WAY CLUTCH           | 45.848               | 1                    |             |
|              | 16          | E150021-00     | GEAR,BALANCE             |                      | 2                    |             |
|              | 17          | E150024-00     | ONE WAY CLUTCH ASSY.     |                      | 1                    |             |
|              | 18          | E150032-00     | DRIVE GEAR,BALANCE SHAFT |                      | 1                    |             |
|              | 19          | E150037-00     | CHAIN, TIMING            | 128 LINKS            | 1                    |             |
|              | 20          | E150046A00     | GEAR,STARTER             |                      | 1                    |             |
|              | 21          | E150047-00     | DRIVER GEAR,TIMING CHAIN | 24T                  | 1                    |             |
|              | 22          | E150051-00     | CLUTCH ASSY,SHOE         |                      | 1                    |             |
|              | 23          | E150075-00     | DRIVE SPROCKET OIL PUMP  |                      | 1                    |             |

# CRANKSHAFT(CARBURETOR)

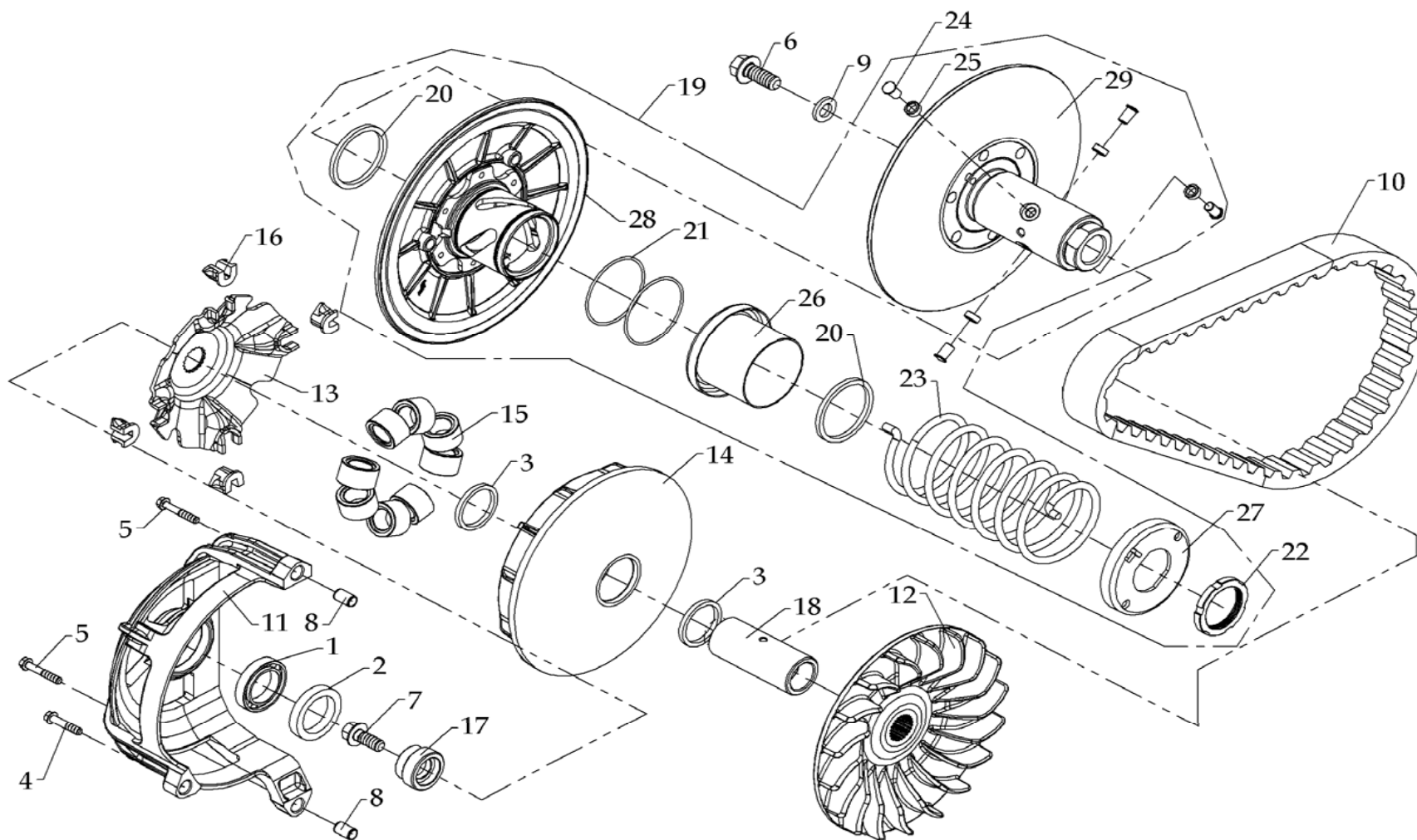


D2018-101A

## CRANKSHAFT(CARBURETOR)

| Model | Item | Part no    | Description          | Specification | Q'ty of Usage | Note |
|-------|------|------------|----------------------|---------------|---------------|------|
|       | 24   | E150161A00 | ROTOR ASSY,MAGNETO   | CAB           | 1             |      |
|       | 25   | E150116-00 | DRIVE GEAR,VANE PUMP |               | 1             |      |
|       | 26   | E150140-42 | CUP,STARTER          |               | 1             |      |
|       | 27   | E150066-00 | HOUSING,CLUTCH       |               | 1             |      |
|       | 30   | E150076C00 | CRANKSHAFT ASSY      |               | 1             |      |

C.V.T.

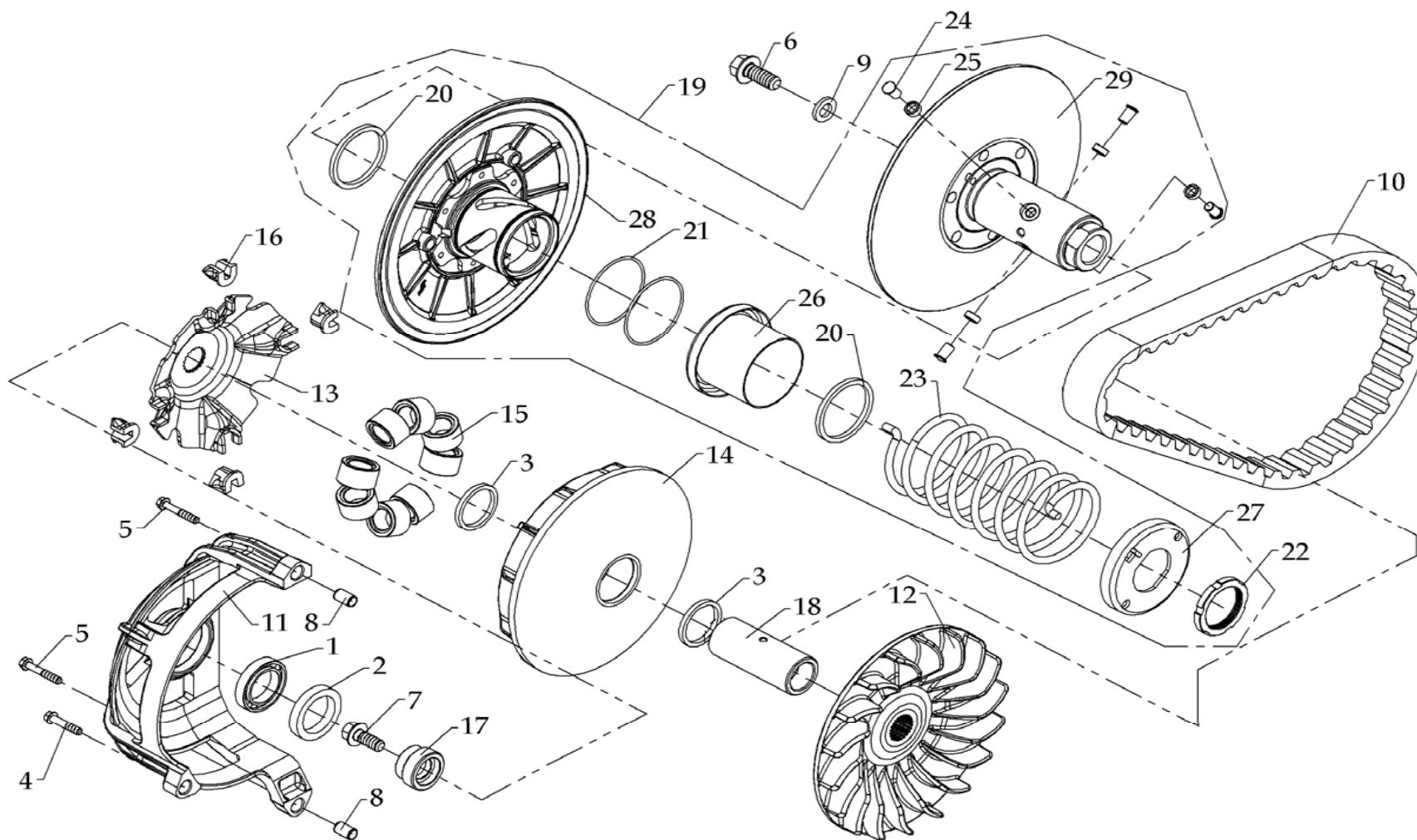


D2018-111A

C.V.T.

| Model | Item | Part no    | Description              | Specification      | Q'ty of Usage | Note |
|-------|------|------------|--------------------------|--------------------|---------------|------|
|       | 01   | A010074-04 | DEEP-GROOVE BALL BEARING | 6906LLU;Ø30XØ47X9t | 1             |      |
|       | 02   | A030044-00 | OIL SEAL                 | TC35X48X8          | 1             |      |
|       | 03   | A030048-01 | OIL SEAL                 | VBY Ø35XØ42X4      | 2             |      |
|       | 04   | A050122-41 | HEXAGONAL FLANGE BOLT    | M6X1.0X30L         | 1             |      |
|       | 05   | A050139-41 | HEXAGONAL FLANGE BOLT    | M6x1.0x35L         | 2             |      |
|       | 06   | A050247-41 | HEXAGONAL FLANGE BOLT    | M12x1.25x30L       | 1             |      |
|       | 07   | A050246-41 | HEXAGONAL FLANGE BOLT    | M10x1.25x25L       | 1             |      |
|       | 08   | A070019-00 | DOWEL PIN                | Ø10X16L            | 2             |      |
|       | 09   | A080060-41 | SPACER                   | Ø12.5xØ30x3t       | 1             |      |
|       | 10   | A170017-00 | BELT,C.V.T               |                    | 1             |      |
|       | 11   | E150018-00 | HOUSING,CVT BEARING      |                    | 1             |      |
|       | 12   | E150054-00 | FACE, FIXED DRIVE        |                    | 1             |      |
|       | 13   | E150055-00 | PLATE,MOVABLE DRIVE      |                    | 1             |      |
|       | 14   | E150067-00 | FACE,MOVABLE DRIVE       |                    | 1             |      |
|       | 15   | E150077-00 | ROLLER SET, WEIGHT       |                    | 8             |      |
|       | 16   | E150078-00 | SLIDE PIECE              |                    | 4             |      |
|       | 17   | E150081-00 | BUSHING                  |                    | 1             |      |
|       | 18   | E150152-00 | SPACER,MOVABLE DRIVE     |                    | 1             |      |
|       | 19   | E150158-00 | GEARSHTFT SHAFT ASSY.    |                    | 1             |      |
|       | 20   | A030049-01 | OIL SEAL                 | Ø50XØ58X4          | 2             |      |
|       | 21   | A040047-00 | O-RING                   | Ø59X2.0            | 2             |      |
|       | 22   | A060073-42 | NUT                      |                    | 1             |      |
|       | 23   | A110055A00 | SPRING,COMPRESSION       |                    | 1             |      |
|       | 24   | E150060-00 | PIN                      |                    | 4             |      |
|       | 25   | E150061-00 | RING                     |                    | 4             |      |

C.V.T.



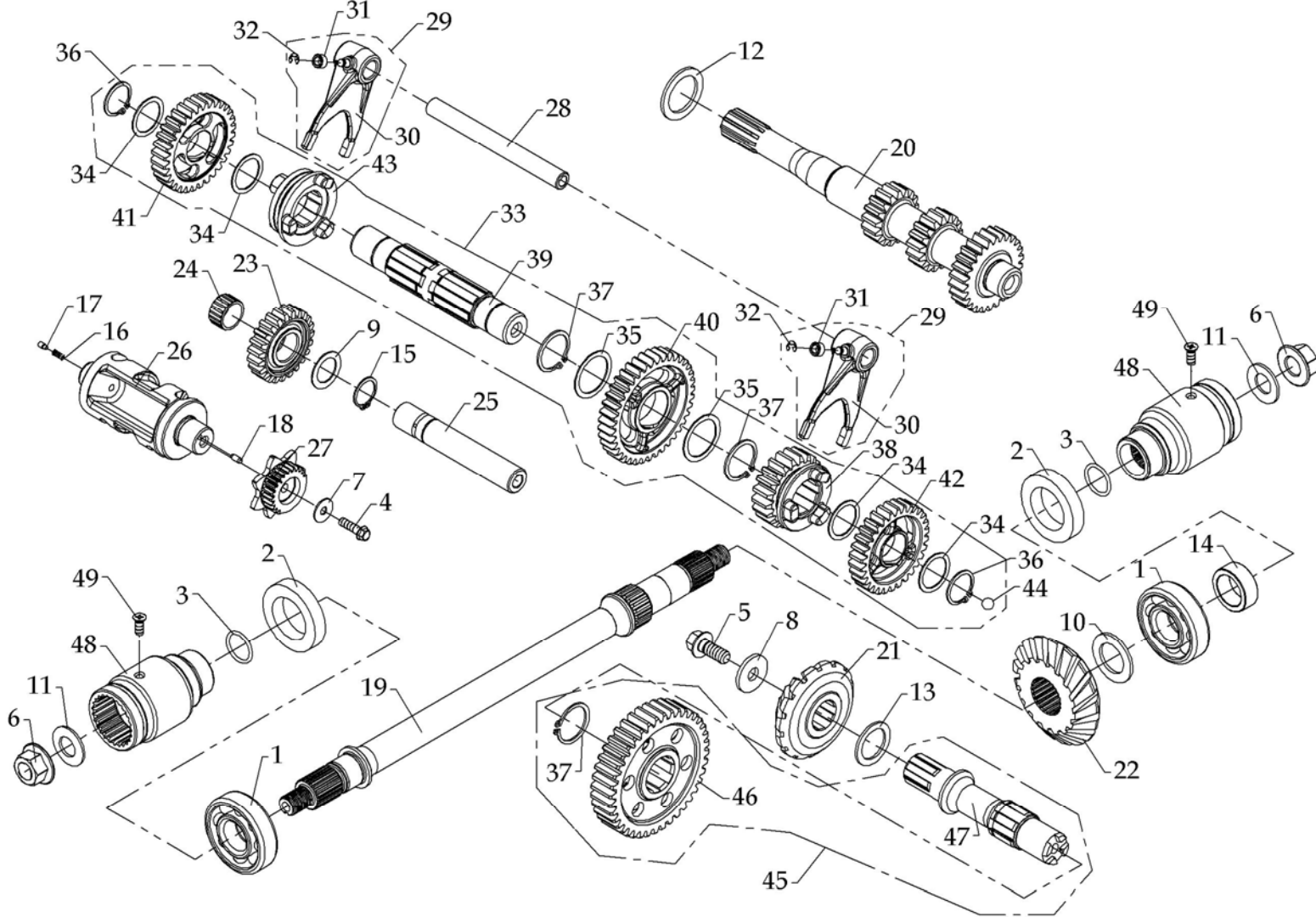
D2018-111A

C.V.T.

| Model | Item | Part no    | Description           | Specification | Q'ty of Usage | Note |
|-------|------|------------|-----------------------|---------------|---------------|------|
|       | 26   | E150062-42 | SHEET,MOVABLE DRIVEN  |               | 1             |      |
|       | 27   | E150063-42 | HOLDER,MOVABLE DRIVEN |               | 1             |      |
|       | 28   | E150059-00 | FACE,MOVABLE DRIVEN   |               | 1             |      |
|       | 29   | E150157-00 | FACE,FIXED DRIVEN     |               | 1             |      |



# TRANSMISSION

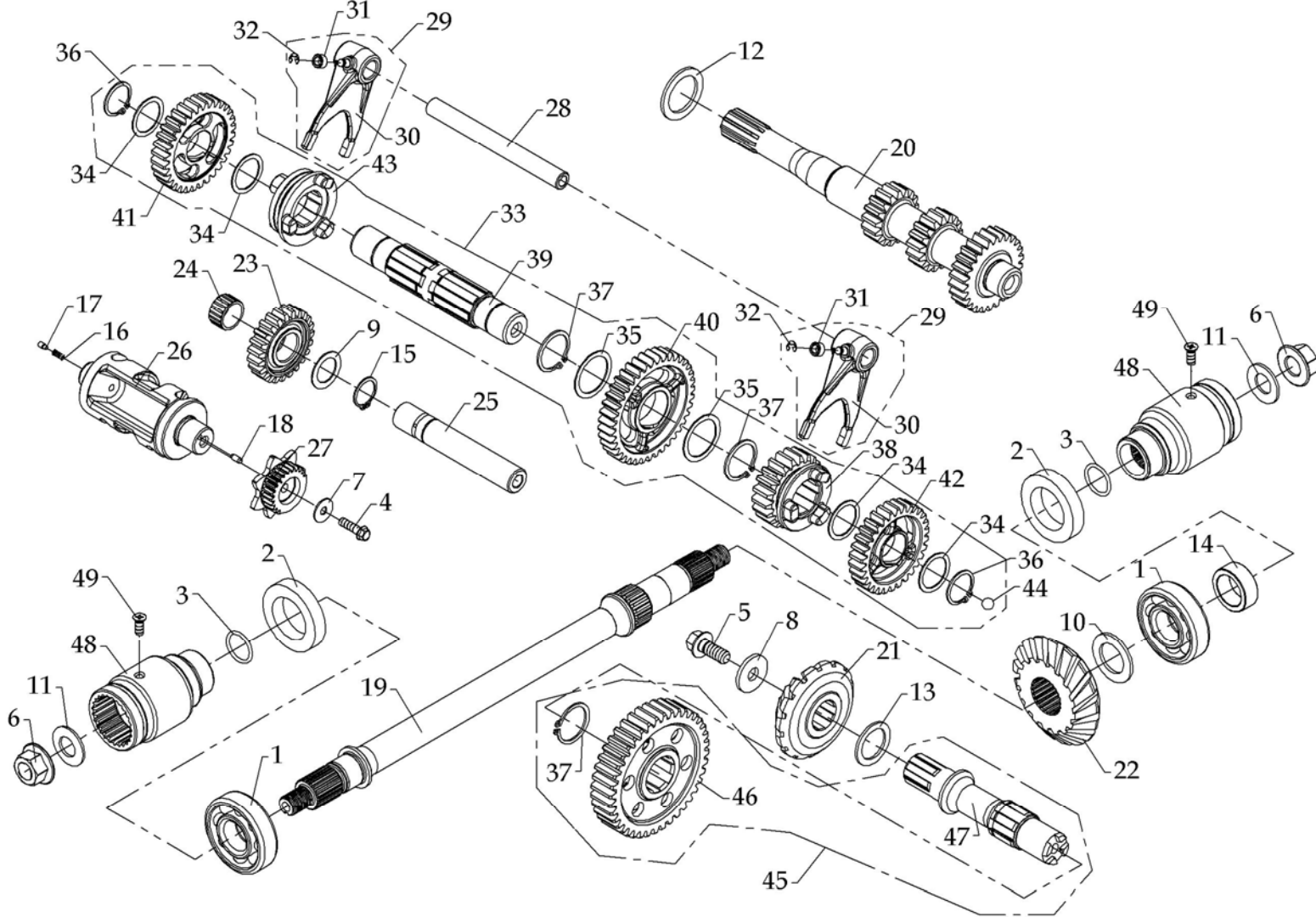


D2018-121A

## TRANSMISSION

| Model | Item | Part no    | Description              | Specification   | Q'ty of Usage | Note |
|-------|------|------------|--------------------------|-----------------|---------------|------|
|       | 01   | A010065-03 | DEEP-GROOVE BALL BEARING | 6305LU          | 2             |      |
|       | 02   | A030045-00 | OIL SEAL                 | TC 55×35×11     | 2             |      |
|       | 03   | A040040-00 | O RING                   | P22(Ø2.4xØ21.8) | 2             |      |
|       | 04   | A050131-41 | HEXAGONAL FLANGE BOLT    | M6x1.0X22L      | 1             |      |
|       | 05   | A050246-41 | HEX WASHER FACE BOLT     | M10x1.25x25L    | 1             |      |
|       | 06   | A060076-00 | FLANGE HEAX NUT          | M16X1.5         | 2             |      |
|       | 07   | A080026-41 | SPACER                   | Ø19XØ6.5X1.2t   | 1             |      |
|       | 08   | A080056-41 | PLAIN WASHER             | 10.5X30X3t      | 1             |      |
|       | 09   | A080116-00 | SPACER                   | Ø20.2XØ30X1.0t  | 1             |      |
|       | 10   | A080117-00 | SPACER                   | Ø25.2XØ40X2.5t  | 1             |      |
|       | 11   | A080123-00 | SPRING WASHER            |                 | 2             |      |
|       | 12   | A090035-00 | SPACER                   | Ø30.2XØ42X2.5t  | 1             |      |
|       | 13   | A090040-00 | SPACER                   | Ø25.2XØ35X2t    | 1             |      |
|       | 14   | A090047-00 | SPACER                   | Ø25.2XØ35X13.5L | 1             |      |
|       | 15   | A100010-00 | CIRCLIP,C TYPE           | Ø20             | 1             |      |
|       | 16   | A110002-00 | SPRING                   | 0.35x4x8.5x10   | 1             |      |
|       | 17   | E060023-00 | SWITCH,indicator         |                 | 1             |      |
|       | 18   | E060024-00 | DOWEL PIN                | Ø4X9L           | 1             |      |
|       | 19   | E150036A00 | SHAFT,OUTPUT             |                 | 1             |      |
|       | 20   | E150039-00 | MAIN SHAFT,INPUT         |                 | 1             |      |
|       | 21   | E150041-00 | BEVEL GEAR, DRIVE        |                 | 1             |      |
|       | 22   | E150042-00 | BEVEL GEAR,OUTPUT        |                 | 1             |      |
|       | 23   | E150044A00 | IDLE GEAR,REVERSE        |                 | 1             |      |
|       | 24   | A010089-00 | NEEDLE BEARING           | Ø20xØ24x13t     | 1             |      |
|       | 25   | E150098B00 | SHAFT,REVERSE            |                 | 1             |      |

# TRANSMISSION



D2018-121A

## TRANSMISSION

| Model | Item | Part no    | Description              | Specification  | Q'ty of Usage | Note |
|-------|------|------------|--------------------------|----------------|---------------|------|
|       | 26   | E150189B00 | CAM DRUM,GERE SHIFT      |                | 1             |      |
|       | 27   | E150101A00 | STOPER, GEAR SHIFT       |                | 1             |      |
|       | 28   | E150103-00 | SHAFT,FORK               |                | 1             |      |
|       | 29   | E150222-00 | FORK ASSY.               |                | 2             |      |
|       | 30   | E150218-00 | FORK                     |                | 2             |      |
|       | 31   | E150104B00 | RING,FORK                |                | 2             |      |
|       | 32   | A100024-43 | RETAINING RINGS E TYPE   | Ø4x0.6t        | 2             |      |
|       | 33   | E150175D00 | COUNTERSHAFT ASSY'       |                | 1             |      |
|       | 34   | A090034-00 | SPACER                   | Ø25.2XØ32X1.0t | 4             |      |
|       | 35   | A090041-00 | SPACER                   | Ø30.2XØ38X1t   | 2             |      |
|       | 36   | A100013-43 | CIRCLIP,C TYPE           | Ø25            | 2             |      |
|       | 37   | A100021-43 | CIRCLIP,C TYPE           | Ø30            | 3             |      |
|       | 38   | E150033C00 | GEAR,COUNTER OUTPUT      |                | 1             |      |
|       | 39   | E150038A00 | COUNTER SHAFT            |                | 1             |      |
|       | 40   | E150040A00 | DRIVEN GEAR,LOW          |                | 1             |      |
|       | 41   | E150043A00 | DRIVEN GEAR,REVERSE      |                | 1             |      |
|       | 42   | E150045B00 | GEAR,SUB T/M DRIVEN HIGH |                | 1             |      |
|       | 43   | E150052B00 | CLUTCH,GEAR              |                | 1             |      |
|       | 44   | A150006-00 | STEEL BALL               | Ø8.731         | 1             |      |
|       | 45   | E150182-00 | FINAL SHAFT,T/M ASSY.    |                | 1             |      |
|       | 46   | E150034-00 | FINAL GEAR,T/M           |                | 1             |      |
|       | 47   | E150035-00 | FINAL SHAFT,T/M          |                | 1             |      |
|       | 48   | E150180B00 | OUTPUT CONNECTOR         |                | 2             |      |
|       | 49   | A050255-41 | MACHINE SCREW            | M6x15L         | 2             |      |